



Features

- 16" apron, 11" soaking depth.
- Compatible with Ensemble wall set (71114100)
- Gently sloping backrest, six color-matched jets with adjustable flow.

Material

- Made from solid Vikrell® material for strength, durability, and lasting beauty.

This product has been discontinued.

Installation

- Alcove.
- Left drain.



Recommended Products/Accessories

- 5425-59 Frameless sliding bath door
- 5427-59 Frameless sliding bath door
- 542808-59 Frameless sliding bath door

DISCONTINUED

ADA

This product has been discontinued.

Codes/Standards

- ASME A112.19.7/CSA B45.10
- CSA B45.5/IAPMO Z124
- ASTM E162
- ASTM E662
- UL 1795
- ADA
- ICC/ANSI A117.1

DISCONTINUED

**Warranty – Bathing Fixtures (and)
Kitchen and Utility Sinks Made of Solid
Vikrell® Material**

See website for detailed warranty information.

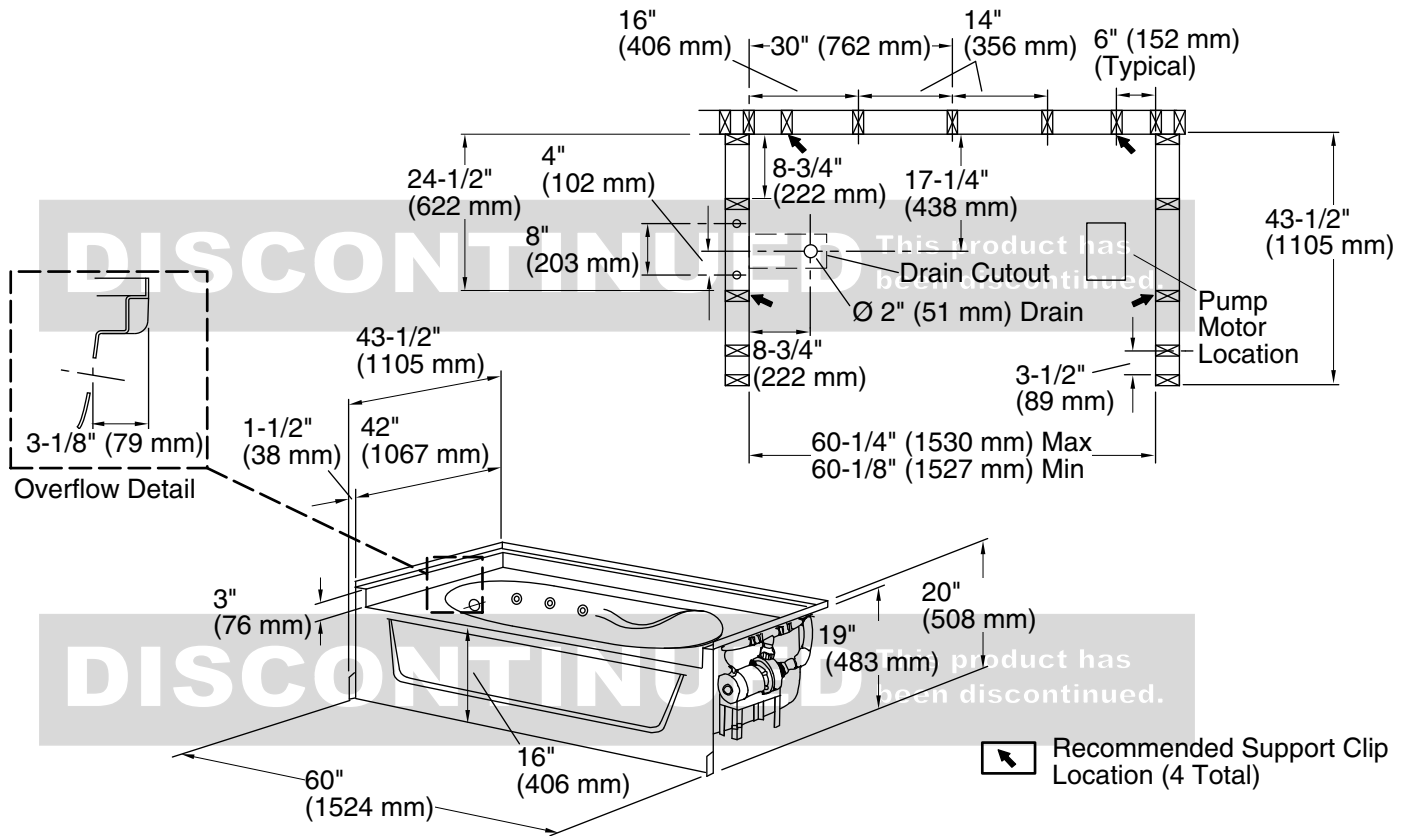
STERLING

A KOHLER COMPANY

Ensemble™

60" x 42" whirlpool bath

76111110



Required Electrical Service

One dedicated circuit required, protected with Class A Ground-Fault Circuit-Interrupter (GFCI). Outside North America, this device may be known as a Residual Current Device (RCD).

Pump: 120 V, 15 A, 60 Hz

Technical Information

All product dimensions are nominal.

Installation: Three-wall alcove
Drain location: Left
Basin area, bottom: 40" x 27" (1016 mm x 686 mm)
Basin area, top: 52" x 35" (1321 mm x 889 mm)
Water depth: 11" (279 mm)
Water capacity: 55 gal (208.2 L)
Electrical component Pump: 120 V, 7 A, 60 Hz rating:
Pump speed: Single
Minimum flat for door: 3-1/4" (83 mm)

Notes

Install this product according to the installation instructions.
Provide one grounded electrical outlet within 24" (610 mm) of each component.
Measure your actual product for roughing-in details.
Pump is supplied with 24" (610 mm) grounding-type plug-in cord.
Locate the outlet behind the whirlpool, and within 24" (610 mm) of the pump.
Do not disassemble the pump or piping as this could void the warranty.
Size the drain cutout to fit the drain assembly that will be used.
Studs should be positioned roughly as shown.
End stud positioning is critical if nailing-in flanges are to be used.
ADA compliant when installed to the specific requirements of these regulations.

1-800-STERLING (1-800-783-7546)

Kohler Co. reserves the right to make revisions without notice to product specifications.

For the most current Specification Sheet, go to www.sterlingplumbing.com.

4-24-2020 06:55 - US