



Ensemble™

36" tile whirlpool/shower w/wall surround

76100120



Features

- 16" apron.
- Six whirlpool jets with adjustable flow, built-in armrests, contoured back.
- Premounted pump and front access panel for easy access to system.
- Three-piece, tongue-and-groove walls with snap-together installation.
- Tile look.
- Corner shelves; built-in armrests and contoured back.

Material

- Made from solid Vikrell® material for strength, durability, and lasting beauty.

Installation

- Alcove.
- Right drain.
- Some caulk required for proper installation.

Recommended Products/Accessories

- 5425-59 Frameless sliding bath door
- 5427-59 Frameless sliding bath door
- 542808-59 Frameless sliding bath door

Codes/Standards

- ASME A112.19.7/CSA B45.10
- CSA B45.5/IAPMO Z124
- ASTM E162
- ASTM E662
- UL 1795

Warranty – Bathing Fixtures (and) Kitchen and Utility Sinks Made of Solid Vikrell® Material

See website for detailed warranty information.



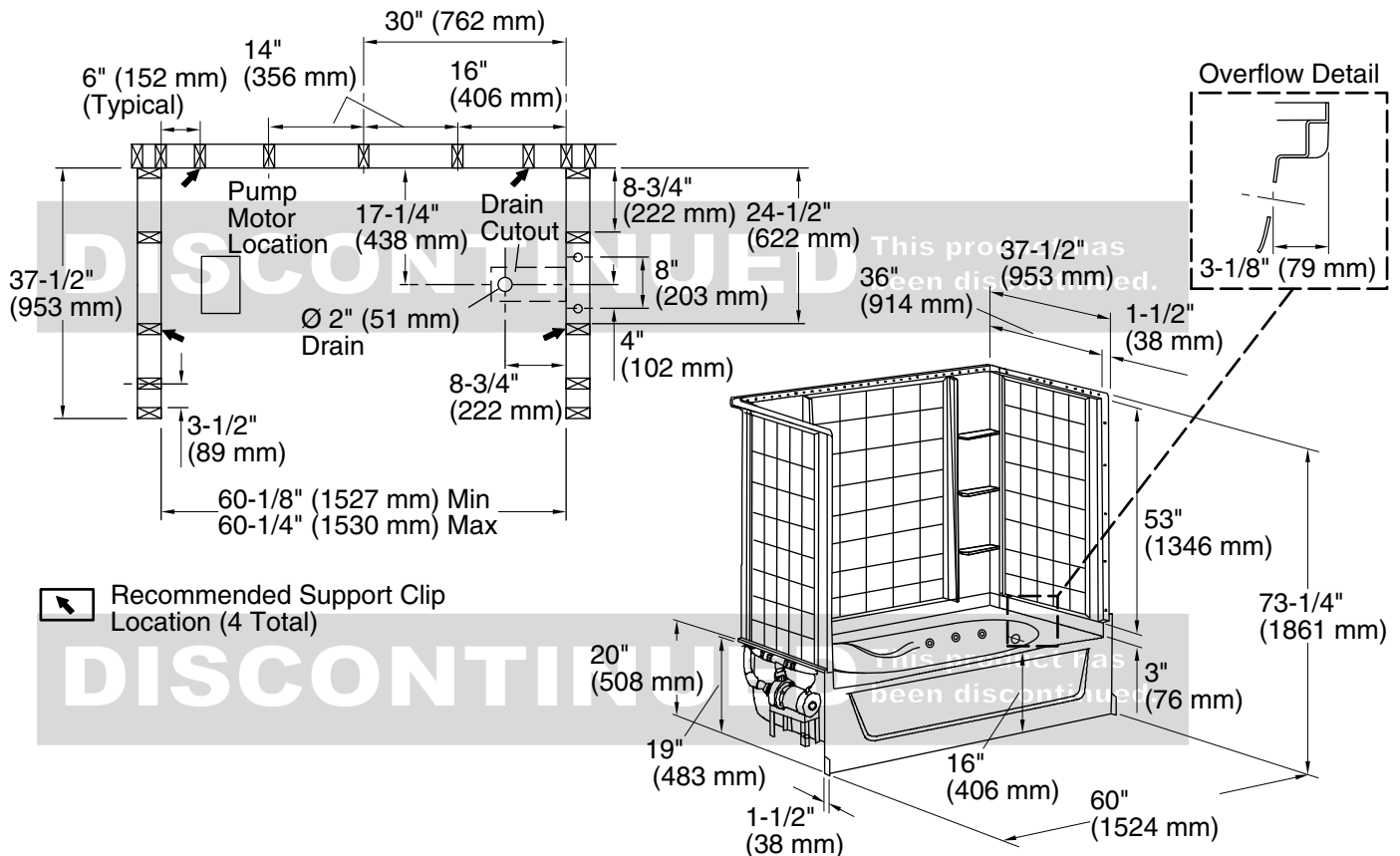
DISCONTINUED This product has been discontinued.

1-800-STERLING (1-800-783-7546)

Kohler Co. reserves the right to make revisions without notice to product specifications.

For the most current Specification Sheet, go to www.sterlingplumbing.com.

5-6-2020 11:05 - US



Required Electrical Service

One dedicated circuit required, protected with Class A Ground-Fault Circuit-Interrupter (GFCI). Outside North America, this device may be known as a Residual Current Device (RCD).

Pump: 120 V, 15 A, 60 Hz

Technical Information

All product dimensions are nominal.

Installation:	Three-wall alcove
Drain location:	Right
Basin area, bottom:	40" x 21" (1016 mm x 533 mm)
Basin area, top:	52" x 29" (1321 mm x 737 mm)
Water depth:	11" (279 mm)
Water capacity:	40 gal (151.4 L)
Electrical component rating:	Pump: 120 V, 7 A, 60 Hz
Pump speed:	Single
Minimum flat for door:	3-1/4" (83 mm)
Maximum door height:	55-3/4" (1416 mm)
Maximum door width:	58-1/2" (1486 mm)

Notes

- Install this product according to the installation instructions.
- Provide one grounded electrical outlet within 24" (610 mm) of each component.
- Measure your actual product for roughing-in details.
- Pump is supplied with 24" (610 mm) grounding-type plug-in cord.
- Locate the outlet behind the whirlpool, and within 24" (610 mm) of the pump.
- Do not disassemble the pump or piping as this could void the warranty.
- Size the drain cutout to fit the drain assembly that will be used.
- Studs should be positioned roughly as shown.