



Features

- Designed with an 18" apron.
- Modular design allows for easy installation during any phase of construction.
- High-gloss finish provides a smooth, shiny surface that is easy to clean.
- Geometric backwall design adds visual interest while easy to clean (walls are required to complete the installation)
- Rounded interior space provides more room for the bather.
- Abundant, recessed storage reduces the visual clutter (walls are required to complete the installation)
- "Snap" together installation. An audible click lets you know when the walls are properly installed.

Material

- Made from solid Vikrell® material for strength, durability, and lasting beauty.

Installation

- Caulk-free installation.

Recommended Products/Accessories

- K-23726 Drain treatment
- K-23733 Vikrell® cleaner

Included Components

Product consists of:

- 71164100 60" bath/shower wall set
- 71161120 60" bath

Codes/Standards

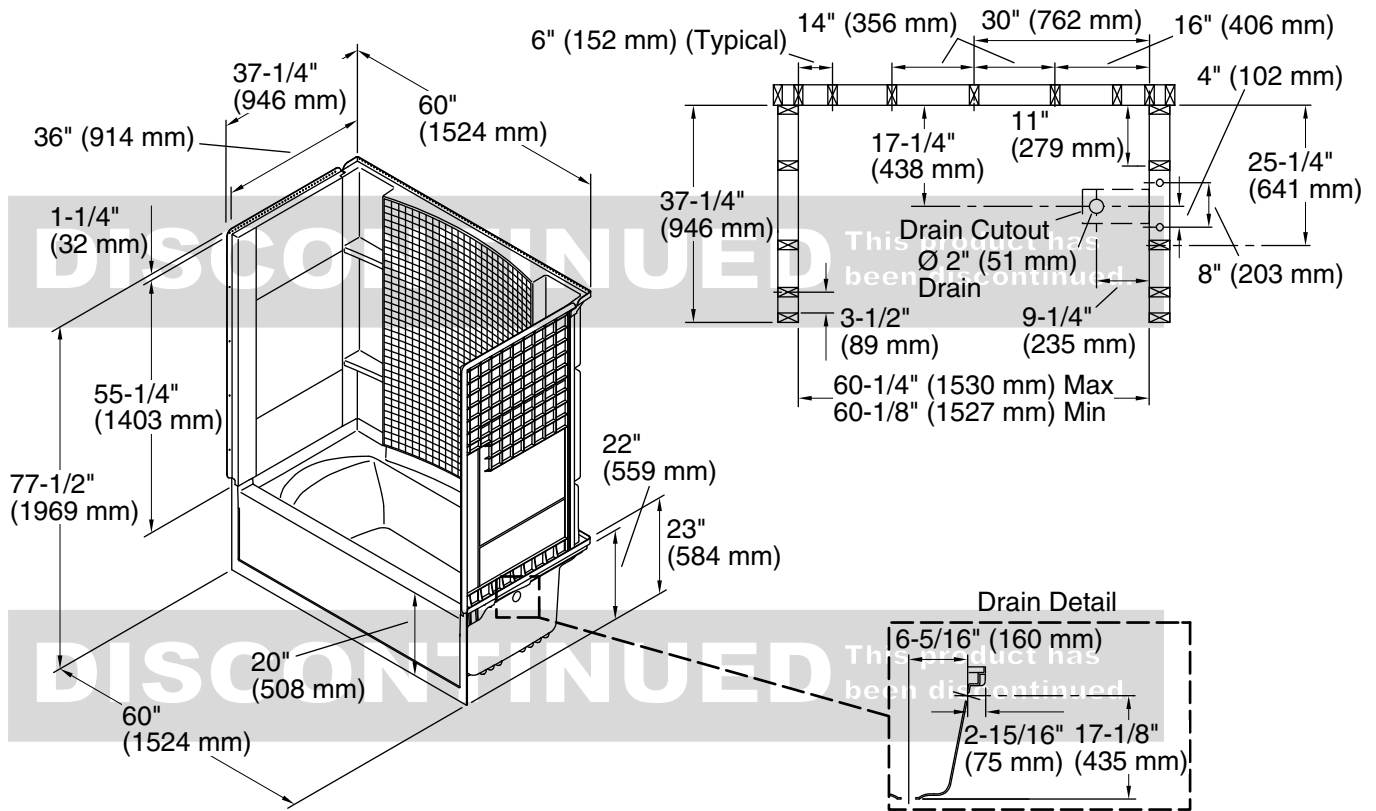
- CSA B45.5/IAPMO Z124ed.
- ASTM E162
- ASTM E662

Warranty – Bathing Fixtures (and) Kitchen and Utility Sinks Made of Solid Vikrell® Material

See website for detailed warranty information.



DISCONTINUED This product has been discontinued.



Technical Information

All product dimensions are nominal.

Installation:	Three-wall alcove
Drain location:	Right
Basin area, bottom:	22-7/8" x 46" (581 mm x 1168 mm)
Basin area, top:	24-7/8" x 50-7/8" (632 mm x 1292 mm)
Water depth:	15-1/8" (384 mm)
Water capacity:	70 gal (265 L)
Minimum flat for door:	2-3/4" (70 mm)
Maximum door height:	55-7/8" (1419 mm)
Maximum door width:	56-3/4" (1441 mm)

Notes

Install this product according to the installation instructions.

Measure your actual product for roughing-in details.

Studs should be positioned roughly as shown. Double-studding is recommended for pivot shower door installations.