



Traverse™

48" x 34" Vikrell shower, center drain
72520100



Features

- Tongue-and-groove modular design allows for easy installation during any phase of construction
- Modern subway tile design
- Full-length shelf provides generous storage
- Easy-to-clean, durable high-gloss finish

Material

- Compression molded from our exclusive solid Vikrell™ material

Installation

- Pro4™ installation system features a two-piece back wall design, enabling one-person handling and installation
- Alcove
- Center drain
- Caulk-free installation

Recommended Products/Accessories

- K-23733 Vikrell® cleaner
- 581075-48 Frameless sliding shower door
- 547808-48 Frameless sliding shower door
- 5475-48 Frameless sliding shower door

Included Components

- 72321100 48" x 34" Vikrell shower base, center drain

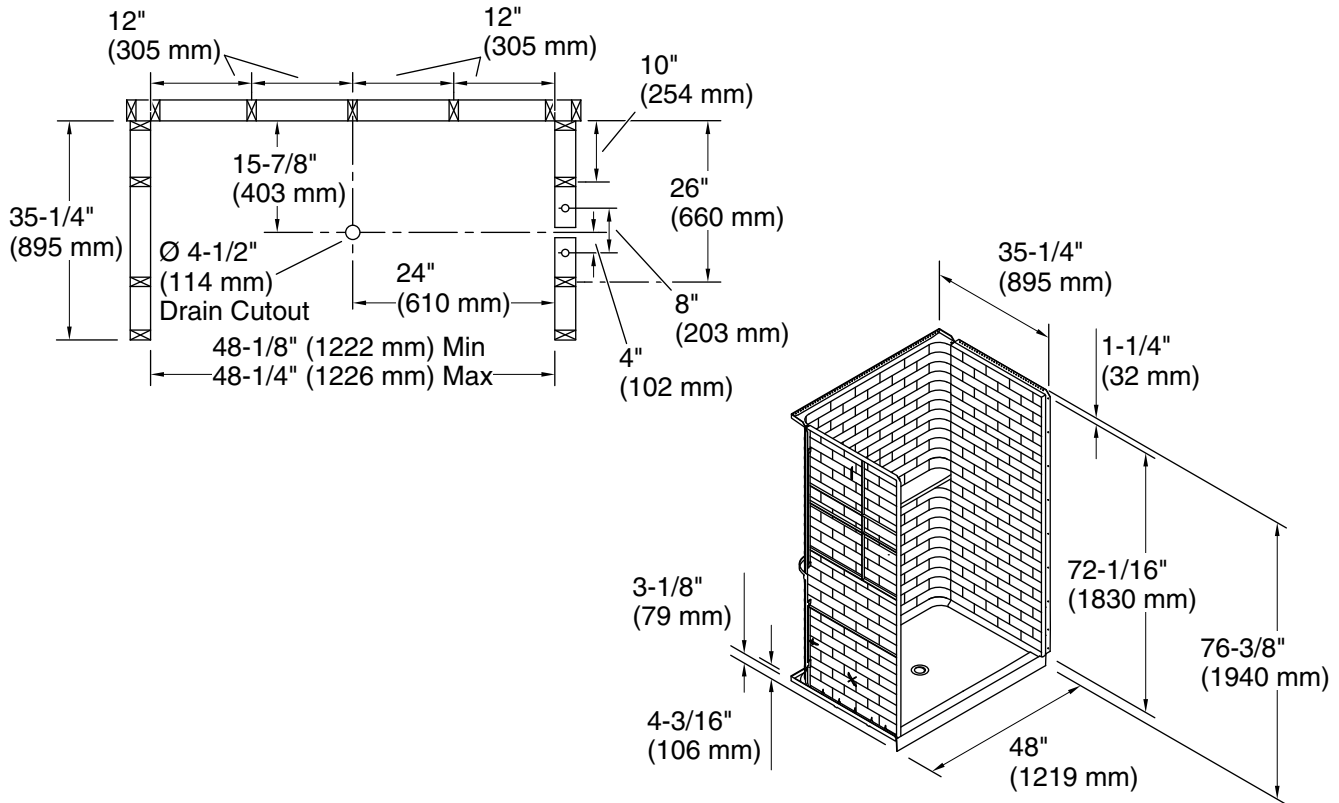


Codes/Standards

- CSA B45.5/IAPMO Z124
- ASTM E162
- ASTM E662
- HUD, UM Bulletin 73

STERLING® Vikrell™ or Acrylic Baths and Shower Bases Ten-Year Limited Warranty

See website for detailed warranty information.



Technical Information

All product dimensions are nominal.

Installation:	Three-wall alcove
Drain location:	Center
Weight:	95 lbs (43.1 kg)
Maximum door height:	72" (1829 mm)
Maximum door width:	44-9/16" (1132 mm)

Notes

Install this product according to the installation instructions.