



# Traverse®

36" x 34" Vikrell® shower with Aging in Place backerboards, center drain  
72500106



### Features

- Tongue-and-groove modular design allows for easy installation during any phase of construction
- Modern subway tile design
- Full-length shelf provides generous storage
- Easy-to-clean, durable high-gloss finish
- Factory-installed Aging in Place backerboards for future grab bar installation

### Material

- Compression molded from our exclusive solid Vikrell® material

### Installation

- Pro4™ installation system features a two-piece back wall design, enabling one-person handling and installation
- Alcove
- Center drain
- Caulk-free installation

### Recommended Products/Accessories

- 1500D-36 Framed pivot shower door
- 80001012 12" straight grab bar
- 80001018 18" straight grab bar
- 80001024 24" straight grab bar
- K-23733 Vikrell® cleaner
- 5690-33 Headerless frameless pivot shower door
- 5699-33 Headerless frameless pivot shower door

### Included Components

- 72301100 36" x 34" Vikrell® shower base, center drain
- 72502100 36" x 72-1/4" Vikrell® shower back wall
- 72505106 34" x 72-1/4" Vikrell® shower end wall set with Aging in Place backerboards



### Codes/Standards

- CSA B45.5/IAPMO Z124
- ASTM E162
- ASTM E662
- HUD, UM Bulletin 73
- IAPMO Certification

### STERLING® Vikrell® or Acrylic Baths and Shower Bases Ten-Year Limited Warranty

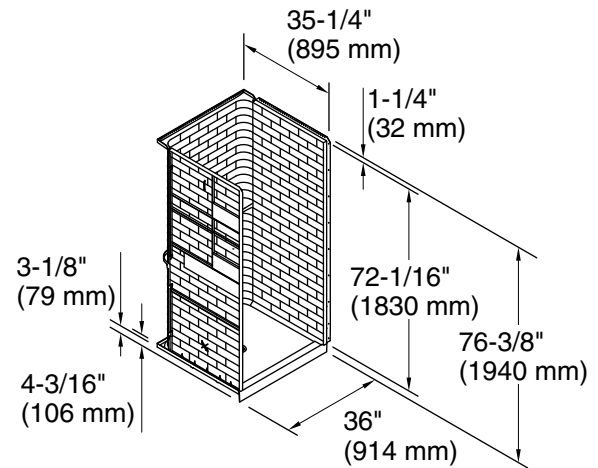
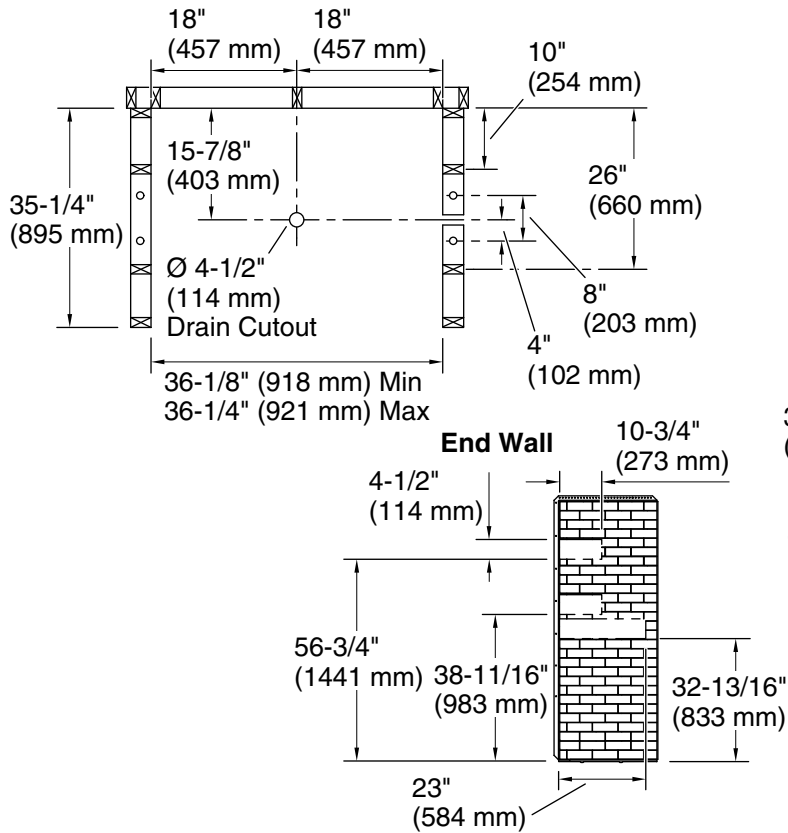
See website for detailed warranty information.

### Available Colors/Finishes

*Color tiles intended for reference only.*

#### Color Code Description

	0	White
--	---	-------



**Note:** Right and left end walls are the same, only mirrored.

**Technical Information**

All product dimensions are nominal.

Drain location:	Center
Weight:	105 lbs (47.6 kg)
Minimum flat for door:	2-7/16" (62 mm)
Maximum door height:	72" (1829 mm)
Maximum door width:	32-9/16" (827 mm)

**Notes**

Install this product according to the installation instructions.