



Medley®

60" x 30" Vikrell® shower with Aging in Place
backerboards, right drain
72440126



Features

- 4" threshold
- Tongue-and-groove modular design allows for easy installation during any phase of construction
- Smooth wall design with molded-in shelves and shaving ledges
- Easy-to-clean, durable high-gloss finish
- Innovative Dry-Block™ seal and channeled water containment system form watertight seams

Material

- Compression molded from our exclusive solid Vikrell® material

Installation

- Alcove
- Right drain
- Caulk-free installation

Recommended Products/Accessories

- 80001012 12" straight grab bar
- 80001018 18" straight grab bar
- 80001024 24" straight grab bar
- K-23726 Drain treatment
- K-23733 Vikrell® cleaner
- 547909-59 Sliding shower door
- 547808-59 Frameless sliding shower door
- 581075-59 Frameless sliding shower door
- 5475-59 Frameless sliding shower door
- 5960-59 Framed sliding shower door

Included Components

- 72432106 60" Vikrell® shower back wall with Aging in Place backerboards
- 72445106 30" Vikrell® shower end wall set with Aging in Place backerboards
- 72171120 60" x 30" Vikrell® shower base, right drain



Codes/Standards

- CSA B45.5/IAPMO Z124
- ASTM E162
- ASTM E662
- HUD, UM Bulletin 73
- IAPMO Certification

STERLING® Vikrell® or Acrylic Baths and Shower Bases Ten-Year Limited Warranty

See website for detailed warranty information.

Available Colors/Finishes

Color tiles intended for reference only.

Color Code Description

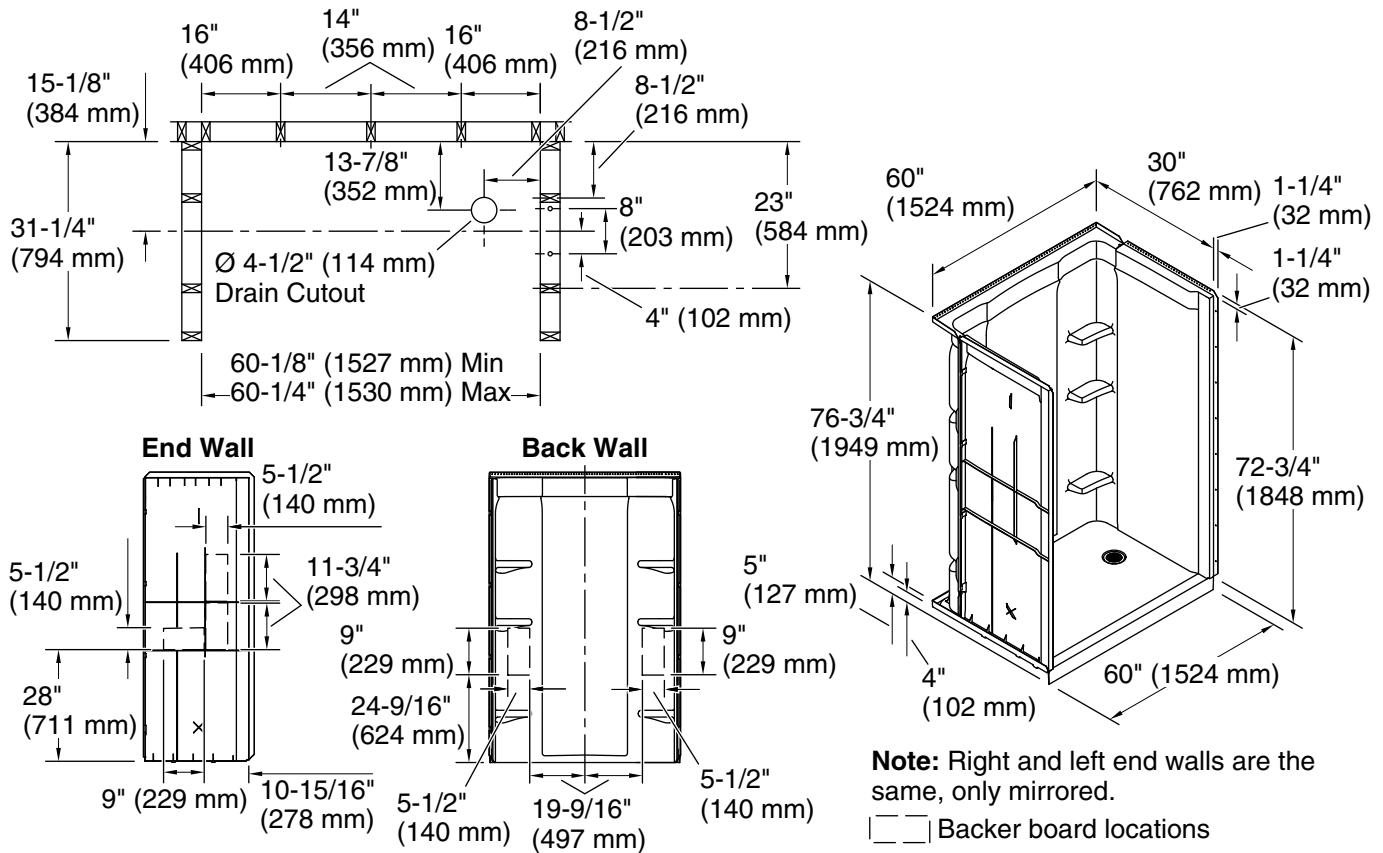
	0	White
--	---	-------

1-800-STERLING (1-800-783-7546)

Kohler Co. reserves the right to make revisions without notice to product specifications.

For the most current Specification Sheet, go to www.sterlingplumbing.com.

3-22-2024 23:20 - US



Technical Information

All product dimensions are nominal.

Drain location:	Right
Weight:	134 lbs (60.8 kg)
Minimum flat for door:	3" (77 mm)
Maximum door height:	70-3/4" (1797 mm)
Maximum door width:	57-5/8" (1464 mm)

Notes

Install this product according to the installation instructions.

Studs should be positioned roughly as shown.