



Medley®

60" x 30" Vikrell® shower, left drain
72440110



Features

- 4" threshold
- Tongue-and-groove modular design allows for easy installation during any phase of construction
- Smooth wall design with molded-in shelves and shaving ledges
- Easy-to-clean, durable high-gloss finish
- Innovative Dry-Block™ seal and channeled water containment system form watertight seams

Material

- Compression molded from our exclusive solid Vikrell® material

Installation

- Alcove
- Left drain
- Caulk-free installation

Recommended Products/Accessories

- 80001012 12" straight grab bar
- 80001018 18" straight grab bar
- 80001024 24" straight grab bar
- K-23726 Drain treatment
- K-23733 Vikrell® cleaner
- 547909-59 Sliding shower door
- 547808-59 Frameless sliding shower door
- 581075-59 Frameless sliding shower door
- 5475-59 Frameless sliding shower door
- 5960-59 Framed sliding shower door

Included Components

- 72171110 60" x 30" Vikrell® shower base, left drain
- 72432100 60" Vikrell® shower back wall
- 72445100 30" Vikrell® shower end wall set



Codes/Standards

- CSA B45.5/IAPMO Z124
- ASTM E162
- ASTM E662
- HUD, UM Bulletin 73
- IAPMO Certification

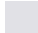
STERLING® Vikrell® or Acrylic Baths and Shower Bases Ten-Year Limited Warranty

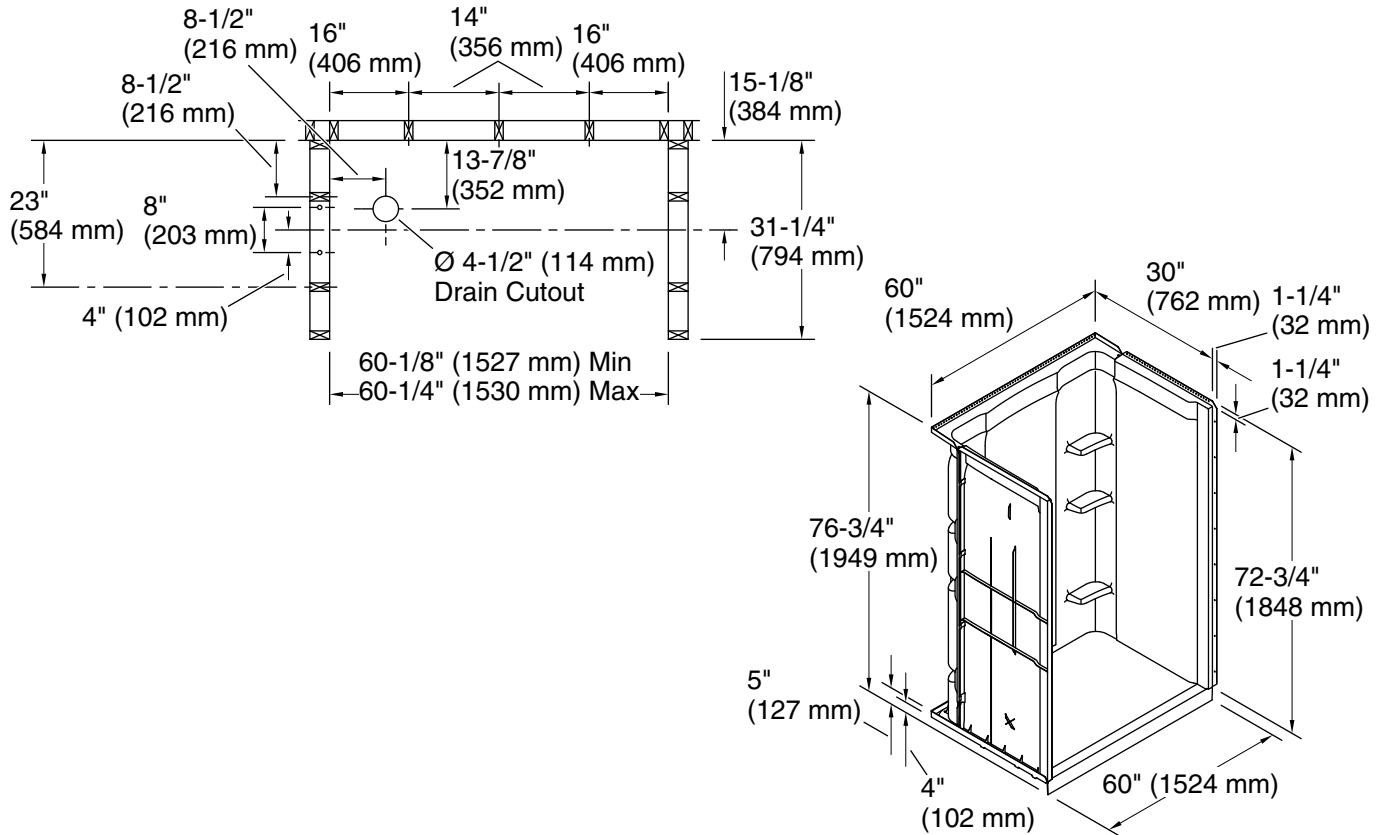
See website for detailed warranty information.

Available Colors/Finishes

Color tiles intended for reference only.

Color Code Description

	0	White
---	---	-------



Technical Information

All product dimensions are nominal.

Drain location:	Left
Weight:	124 lbs (56.2 kg)
Minimum flat for door:	3" (77 mm)
Maximum door height:	70-3/4" (1797 mm)
Maximum door width:	57-5/8" (1464 mm)

Notes

Install this product according to the installation instructions.

Studs should be positioned roughly as shown.