



**Medley®**

60" x 34" Vikrell® shower with Aging in Place backerboards, center drain  
**72430106**



**Features**

- 3-1/8" (79 mm) threshold
- Tongue-and-groove modular design allows for easy installation during any phase of construction
- Smooth wall design with molded-in shelves and shaving ledges
- Easy-to-clean, durable high-gloss finish
- Factory-installed Aging in Place backerboards for future grab bar installation

**Material**

- Compression molded from our exclusive solid Vikrell® material

**Installation**

- Alcove
- Center drain
- Caulk-free installation

**Recommended Products/Accessories**

- 5475-59 Frameless sliding shower door
- 5970-59 Framed sliding shower door
- 5975-59 Framed sliding shower door
- 5976-59 Framed sliding shower door
- 547808-59 Frameless sliding shower door
- 581075-59 Frameless sliding shower door
- 80001012 12" straight grab bar
- 80001018 18" straight grab bar
- 80001024 24" straight grab bar
- 72186104 Freestanding bath seat
- K-23726 Drain treatment
- K-23733 Vikrell® cleaner

**Included Components**

- 72331100 60" x 34" Vikrell® shower base, center drain
- 72432106 60" Vikrell® shower back wall with Aging in Place backerboards
- 72405106 34" Vikrell® shower end wall set with Aging in Place backerboards



**Codes/Standards**

- CSA B45.5/IAPMO Z124
- ASTM E162
- ASTM E662
- HUD, UM Bulletin 73
- IAPMO Certification

**STERLING® Vikrell® or Acrylic Baths and Shower Bases Ten-Year Limited Warranty**

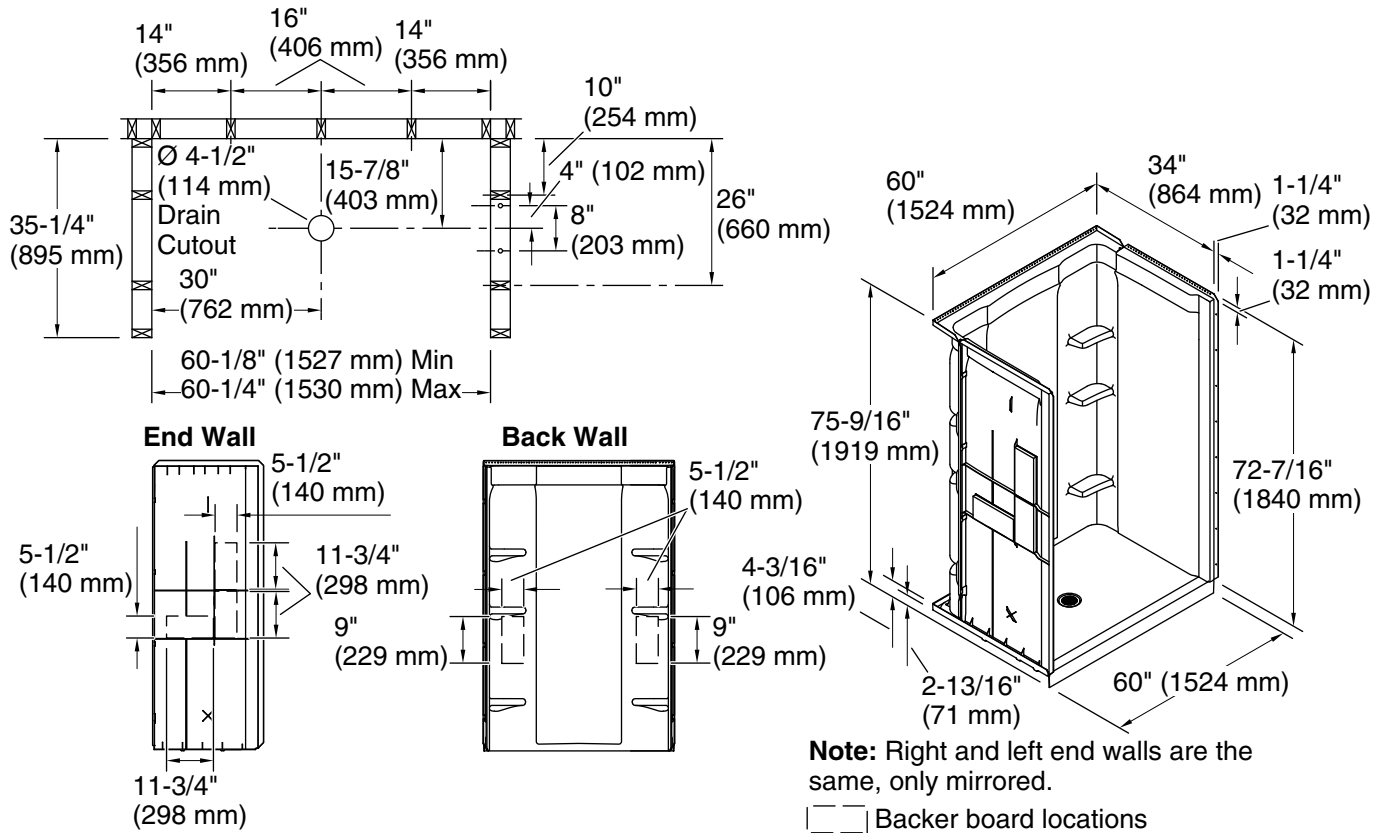
See website for detailed warranty information.

**Available Colors/Finishes**

*Color tiles intended for reference only.*

**Color Code Description**

	0	White
--	---	-------



**Note:** Right and left end walls are the same, only mirrored.

□ □ Backer board locations

**Technical Information**

All product dimensions are nominal.

Drain location:	Center
Weight:	136.5 lbs (61.9 kg)
Minimum flat for door:	2-7/16" (62 mm)
Maximum door height:	70-3/4" (1797 mm)
Maximum door width:	57-5/8" (1464 mm)

**Notes**

Install this product according to the installation instructions.

Studs should be positioned roughly as shown. Attach grab bars at the specified backer board locations only.