



# Medley®

60" x 34" shower  
72430100



## Features

- 3-1/8" (79 mm) threshold.
- Tongue-and-groove modular design allows for easy installation during any phase of construction.
- Smooth wall design with molded-in shelves and shaving ledges.
- Easy-to-clean, durable high-gloss finish.

## Material

- Compression molded from our exclusive solid Vikrell® material.

## Installation

- Alcove.
- Center drain.
- Caulk-free installation.

## Recommended Products/Accessories

- 5475-59 Frameless sliding shower door
- 5477-59 Frameless sliding shower door
- 5970-59 Framed sliding shower door
- 5975-59 Framed sliding shower door
- 5976-59 Framed sliding shower door
- 5977-59 Framed sliding shower door
- 547808-59 Frameless sliding shower door
- 581075-59 Frameless sliding shower door
- 80001012 12" straight grab bar
- 80001018 18" straight grab bar
- 80001024 24" straight grab bar
- 72186104 Freestanding bath seat
- K-23726 Drain treatment
- K-23733 Vikrell® cleaner

## Included Components

Product consists of:

- 72331100
- 72432100
- 72405100



## Codes/Standards



- CSA B45.5/IAPMO Z124
- ASTM E162
- ASTM E662
- HUD, UM Bulletin 73

## STERLING® Vikrell® or Acrylic Baths and Shower Bases Ten-Year Limited Warranty

See website for detailed warranty information.

## Available Colors/Finishes

*Color tiles intended for reference only.*

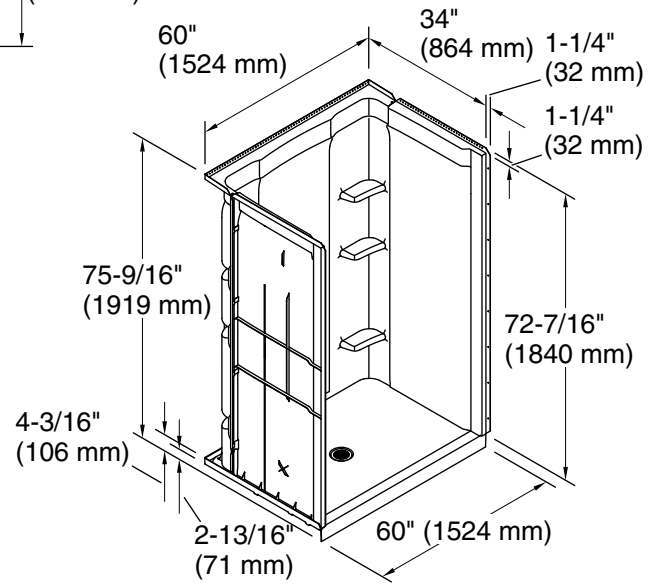
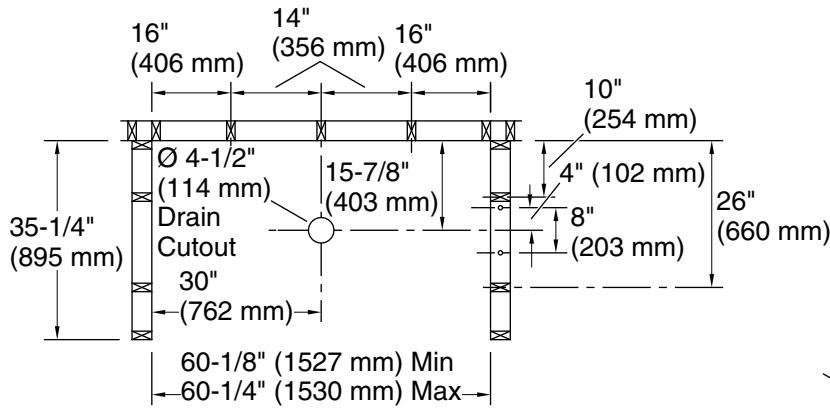
Color	Code	Description
	0	White
	96	KOHLER Biscuit

1-800-STERLING (1-800-783-7546)

Kohler Co. reserves the right to make revisions without notice to product specifications.

For the most current Specification Sheet, go to [www.sterlingplumbing.com](http://www.sterlingplumbing.com).

10-2-2022 21:16 - US//CA/LM



**Technical Information**

All product dimensions are nominal.

Installation:	Three-wall alcove
Drain location:	Center
Weight:	126.5 lbs (57.4 kg)
Maximum door height:	70-3/4" (1797 mm)
Maximum door width:	57-5/8" (1464 mm)

**Notes**

Install this product according to the installation instructions.

Studs should be positioned roughly as shown.