



Medley®

36" x 34" Vikrell® shower with Aging in Place backerboards, center drain
72400106



Features

- 3-1/8" (79 mm) threshold
- Tongue-and-groove modular design allows for easy installation during any phase of construction
- Smooth wall design with molded-in shelves and shaving ledges
- Easy-to-clean, durable high-gloss finish

Material

- Compression molded from our exclusive solid Vikrell® material

Installation

- Alcove
- Center drain
- Caulk-free installation

Recommended Products/Accessories

- 1500D-36 Framed pivot shower door
- 80001012 12" straight grab bar
- 80001018 18" straight grab bar
- 80001024 24" straight grab bar
- K-23726 Drain treatment
- K-23733 Vikrell® cleaner

Included Components

- 72301100 36" x 34" Vikrell® shower base, center drain
- 72402100 36" Vikrell® shower back wall
- 72405106 34" Vikrell® shower end wall set with Aging in Place backerboards



Codes/Standards

- CSA B45.5/IAPMO Z124
- ASTM E162
- ASTM E662
- HUD, UM Bulletin 73
- IAPMO Certification

STERLING® Vikrell® or Acrylic Baths and Shower Bases Ten-Year Limited Warranty

See website for detailed warranty information.

Available Colors/Finishes

Color tiles intended for reference only.

Color Code Description

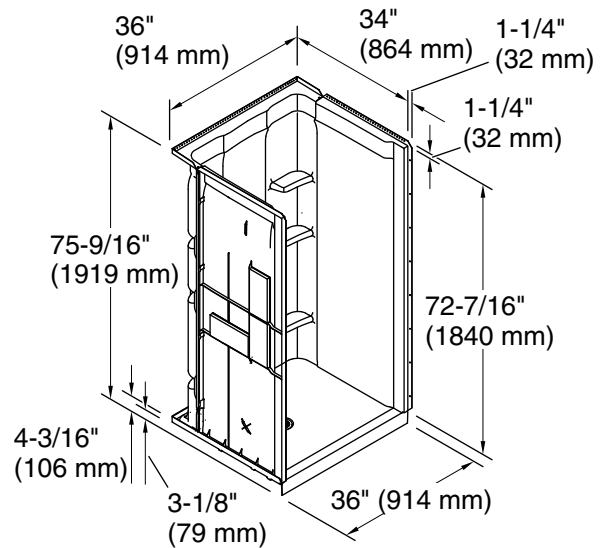
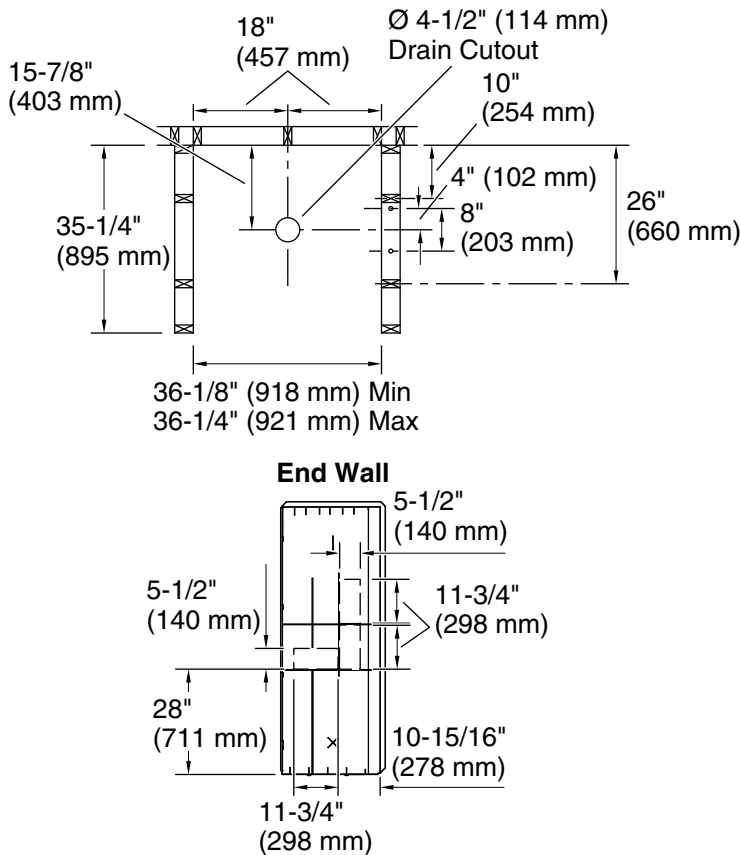
| | | |
|--|---|-------|
| | 0 | White |
|--|---|-------|

1-800-STERLING (1-800-783-7546)

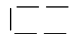
Kohler Co. reserves the right to make revisions without notice to product specifications.

For the most current Specification Sheet, go to www.sterlingplumbing.com.

3-23-2024 21:32 - US



Note: Right and left end walls are the same, only mirrored.

 Backer board locations

Technical Information

All product dimensions are nominal.

| | |
|----------------------|-------------------|
| Drain location: | Center |
| Weight: | 99 lbs (44.9 kg) |
| Maximum door height: | 70-3/4" (1797 mm) |
| Maximum door width: | 33-5/8" (854 mm) |

Notes

Install this product according to the installation instructions.

Attach grab bars at the specified backer board locations only.

Studs should be positioned roughly as shown.