



GUARD+®

48" x 34" Vikrell® shower base, center drain
72321700



Features

- 3-1/8" (79 mm) threshold
- Durable high-gloss finish with molded-in textured floor
- Suitable for tile-down applications
- Compatible with STORE+ shower walls (series 7232)

Material

- Made from solid Vikrell® material for strength, durability, and lasting beauty

Installation

- Center drain

Recommended Products/Accessories

- 72322700 48" Vikrell® shower back wall
- 72305700 34" Vikrell® shower end wall set
- 72186104 Freestanding bath seat
- 1500D-48 Framed pivot shower door
- 5475-48 Frameless sliding shower door
- 5970-48 Framed sliding shower door
- 5975-48 Framed sliding shower door
- 5976-48 Framed sliding shower door
- 547808-48 Frameless sliding shower door
- 581075-48 Frameless sliding shower door
- 80001012 12" straight grab bar
- 80001018 18" straight grab bar
- 80001024 24" straight grab bar
- K-23726 Drain treatment
- K-23733 Vikrell® cleaner



Codes/Standards

- CSA B45.5/IAPMO Z124
- ASTM E162
- ASTM E662
- HUD, UM Bulletin 73
- IAPMO Certification

STERLING® Vikrell® or Acrylic Baths and Shower Bases Ten-Year Limited Warranty

See website for detailed warranty information.

Available Colors/Finishes

Color tiles intended for reference only.

Color Code Description

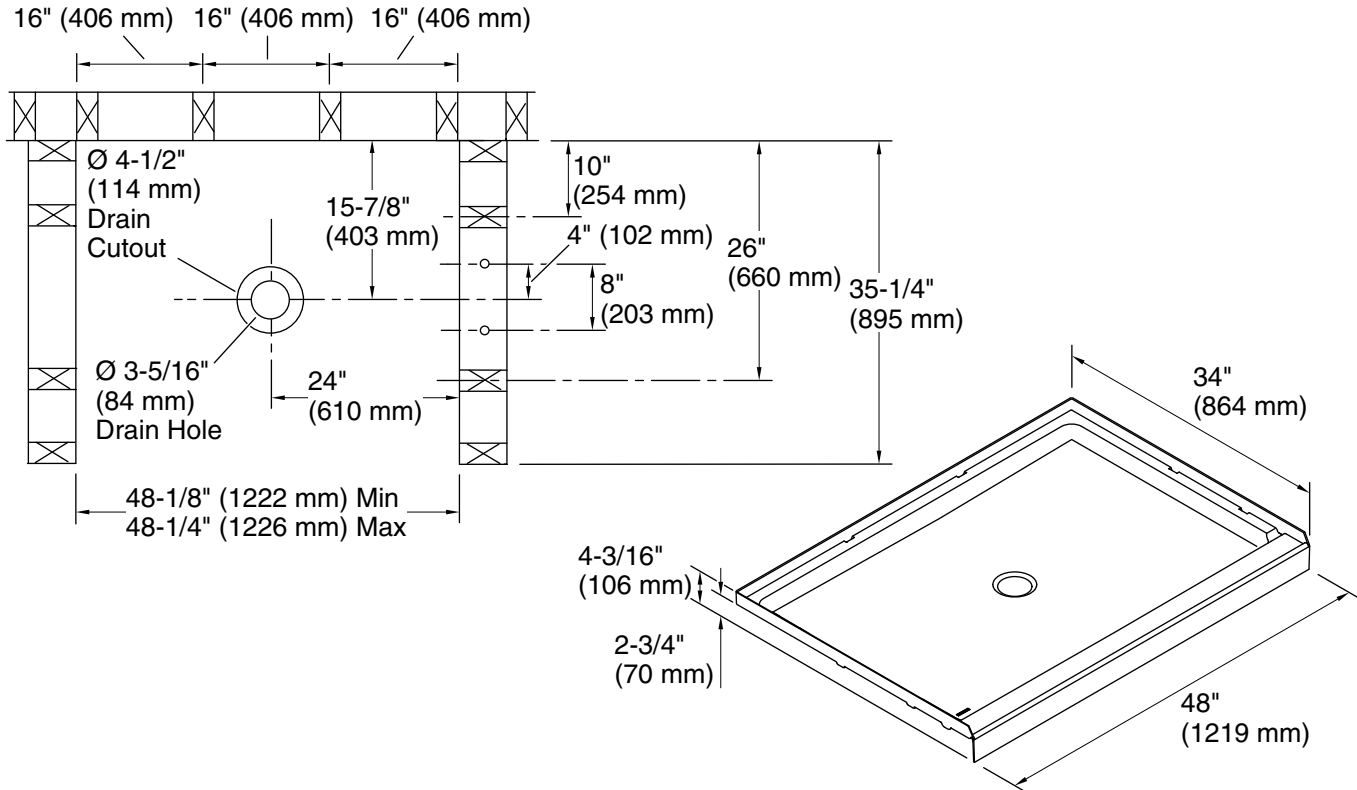
	0	White
--	---	-------

1-800-STERLING (1-800-783-7546)

Kohler Co. reserves the right to make revisions without notice to product specifications.

For the most current Specification Sheet, go to www.sterlingplumbing.com.

3-15-2024 13:15 - US



Technical Information

All product dimensions are nominal.

Drain location: Center
Weight: 31 lbs (14.1 kg)
Minimum flat for door: 2-1/2" (64 mm)

Notes

Install this product according to the installation instructions.
Studs should be positioned roughly as shown.
Double studding is recommended for pivot shower door installations.