



# GUARD+®

48" x 34" shower base  
72321700



## Features

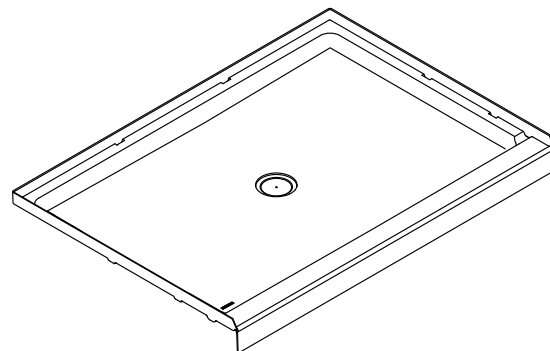
- 3-1/8" threshold.
- Durable high-gloss finish with molded-in textured floor.
- Center drain.
- Suitable for tile-down application.
- Compatible with STORE+ shower walls (series 7232)

## Material

- Made from solid Vikrell® material for strength, durability, and lasting beauty.

## Recommended Products/Accessories

- 72322700 48" x 72-5/8" shower back wall
- 72305700 34" x 72-5/8" shower end wall set
- 72186104 Freestanding bath seat
- 695B-48 Framed sliding shower door
- 1500D-48 Framed pivot shower door
- 1505D-48 Framed pivot shower door
- 1506D-48 Framed pivot shower door
- 1530D-48 Framed pivot shower door
- 1535D-48 Framed pivot shower door
- 5475-48 Frameless sliding shower door
- 5477-48 Frameless sliding shower door
- 5970-48 Framed sliding shower door
- 5975-48 Framed sliding shower door
- 5976-48 Framed sliding shower door
- 5977-48 Framed sliding shower door
- 547808-48 Frameless sliding shower door
- 572075-48 Framed sliding shower door
- 581075-48 Frameless sliding shower door
- 80001012 12" straight grab bar
- 80001018 18" straight grab bar
- 80001024 24" straight grab bar
- K-23726 Drain treatment
- K-23733 Vikrell® cleaner



## Codes/Standards

- CSA B45.5/IAPMO Z124
- ASTM E162
- ASTM E662
- HUD, UM Bulletin 73

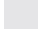
## STERLING® Vikrell® or Acrylic Baths and Shower Bases Ten-Year Limited Warranty

See website for detailed warranty information.

## Available Colors/Finishes

*Color tiles intended for reference only.*

### Color Code Description

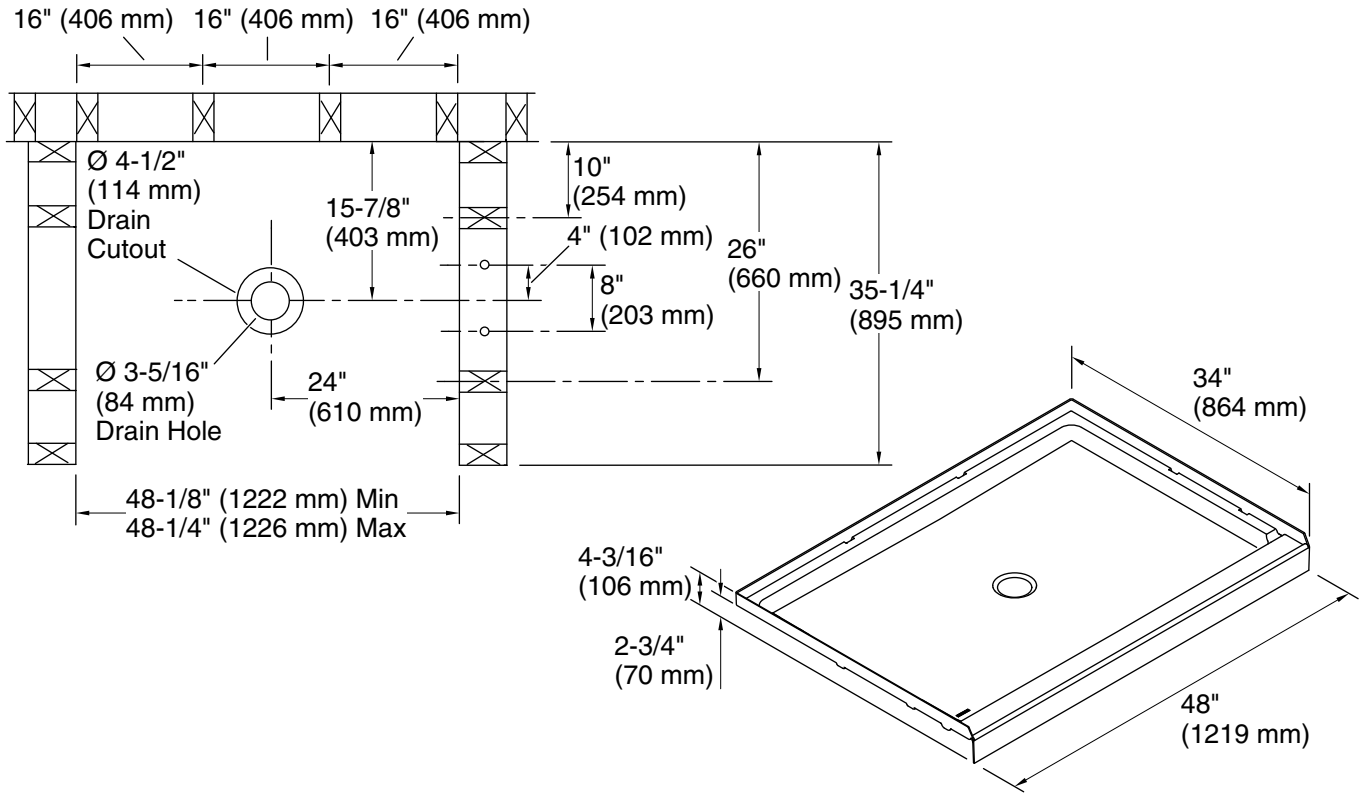
	0	White
--	---	-------

1-800-STERLING (1-800-783-7546)

Kohler Co. reserves the right to make revisions without notice to product specifications.

For the most current Specification Sheet, go to [www.sterlingplumbing.com](http://www.sterlingplumbing.com).

3-28-2020 05:49 - US



**Technical Information**

All product dimensions are nominal.

Installation: Three-wall alcove

**Notes**

Install this product according to the installation instructions.

Studs should be positioned roughly as shown.

Double studding is recommended for pivot shower door installations.