



**GUARD+®**

48" x 34" Vikrell® shower base, center drain  
**72321100**



**Features**

- 3-1/8" (79 mm) threshold
- Durable high-gloss finish with molded-in textured floor
- Suitable for tile-down applications
- Compatible with STORE+ shower walls (series 7232)

**Material**

- Made from solid Vikrell® material for strength, durability, and lasting beauty

**Installation**

- Center drain

**Recommended Products/Accessories**

- 1500D-48 Framed pivot shower door
- 5475-48 Frameless sliding shower door
- 5970-48 Framed sliding shower door
- 5975-48 Framed sliding shower door
- 5976-48 Framed sliding shower door
- 547808-48 Frameless sliding shower door
- 581075-48 Frameless sliding shower door
- 80001012 12" straight grab bar
- 80001018 18" straight grab bar
- 80001024 24" straight grab bar
- 72186104 Freestanding bath seat
- K-23726 Drain treatment
- K-23733 Vikrell® cleaner



**Codes/Standards**

CSA B45.5/IAPMO Z124  
 HUD, UM Bulletin 73  
 IAPMO Certification

**STERLING® Vikrell® or Acrylic Baths and Shower Bases Ten-Year Limited Warranty**

See website for detailed warranty information.

**Available Colors/Finishes**

*Color tiles intended for reference only.*

**Color Code Description**

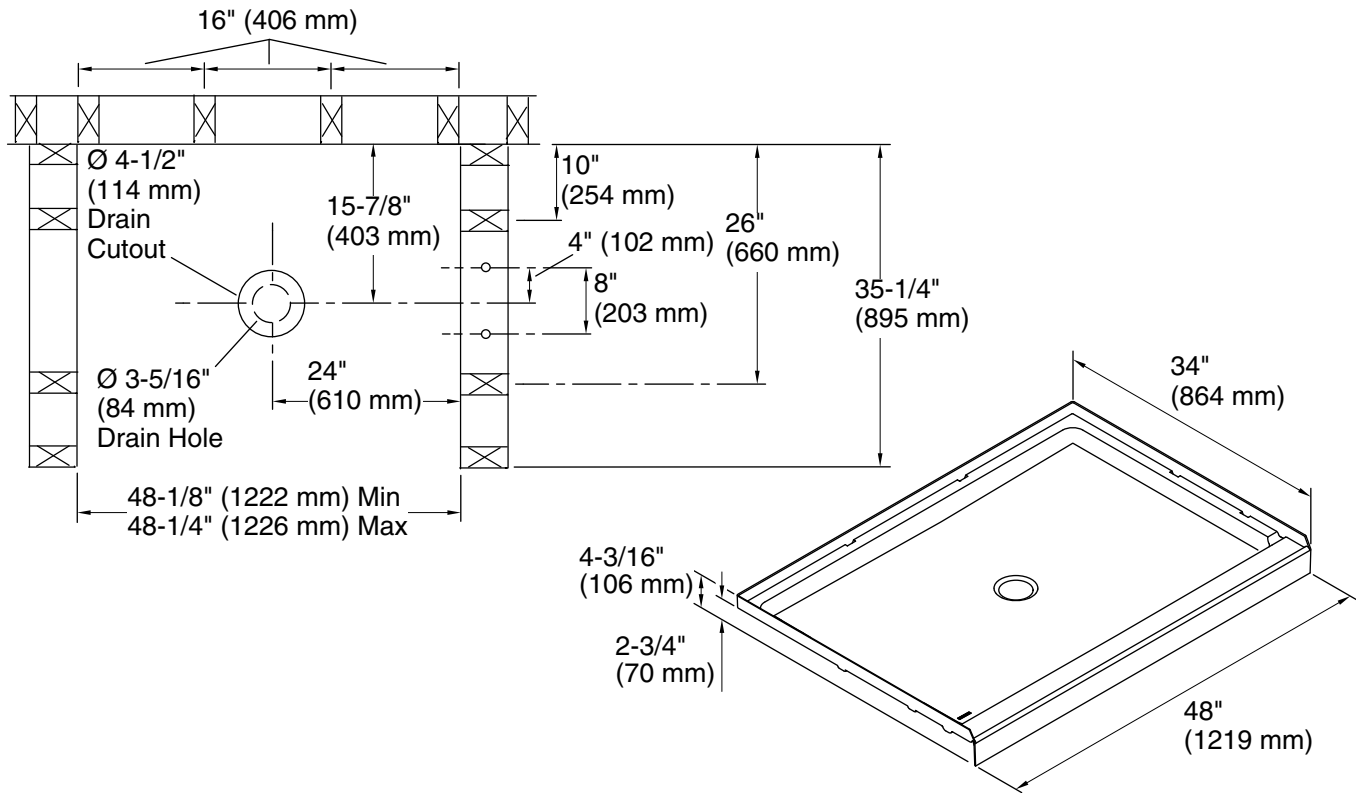
	0	White
--	---	-------

1-800-STERLING (1-800-783-7546)

Kohler Co. reserves the right to make revisions without notice to product specifications.

For the most current Specification Sheet, go to [www.sterlingplumbing.com](http://www.sterlingplumbing.com).

3-15-2024 13:15 - US



**Technical Information**

All product dimensions are nominal.

Drain location:	Center
Weight:	30 lbs (13.6 kg)
Minimum flat for door:	2-1/2" (64 mm)
Maximum door width:	47" (1194 mm)

**Notes**

Install this product according to the installation instructions.

Studs should be positioned roughly as shown.

Double studding is recommended for pivot shower door installations.