



**Features**

- 3-1/8" (79 mm) threshold
- Durable high-gloss finish
- Three-piece tongue-and-groove walls with snap-together installation
- Includes four rimmed shelves, two large bins, two shower hooks and two soap dishes with towel bars; shaving ledge/footrest
- Aging in Place backerboards

**Material**

- Made from solid Vikrell® material for strength, durability, and lasting beauty

**Installation**

- Alcove
- Center drain
- Caulk-free installation

**Recommended Products/Accessories**

- 1500D-48 Framed pivot shower door
- 1505D-48 Framed pivot shower door
- 1506D-48 Framed pivot shower door
- 1530D-48 Framed pivot shower door
- 1535D-48 Framed pivot shower door
- 5475-48 Frameless sliding shower door
- 5477-48 Frameless sliding shower door
- 5970-48 Framed sliding shower door
- 5975-48 Framed sliding shower door
- 5976-48 Framed sliding shower door
- 5977-48 Framed sliding shower door
- 547808-48 Frameless sliding shower door
- 581075-48 Frameless sliding shower door
- 80001012 12" straight grab bar
- 80001018 18" straight grab bar
- 80001024 24" straight grab bar
- 72186104 Freestanding bath seat
- K-23726 Drain treatment
- K-23733 Vikrell® cleaner

**Included Components**

- Product consists of:
- 72321100
  - 72322106
  - 72305106



**Codes/Standards**

- CSA B45.5/IAPMO Z124
- ASTM E162
- ASTM E662
- HUD, UM Bulletin 73

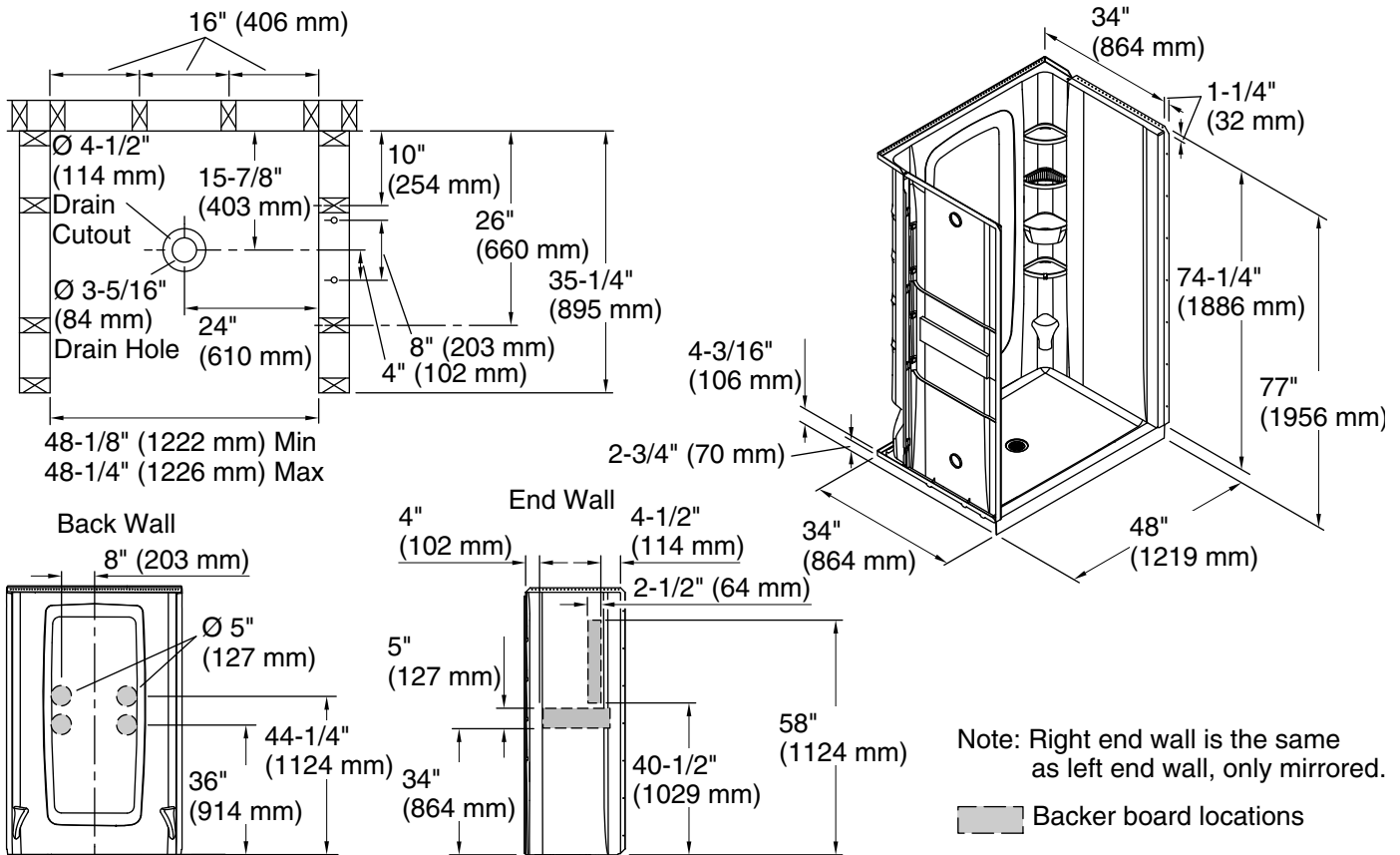
**STERLING® Vikrell® or Acrylic Baths and Shower Bases Ten-Year Limited Warranty**

See website for detailed warranty information.

**Available Colors/Finishes**

*Color tiles intended for reference only.*

Color	Code	Description
	0	White
	96	KOHLER Biscuit



**Technical Information**

All product dimensions are nominal.

Installation:	Three-wall alcove
Drain location:	Center
Basin area, bottom:	29-1/16" x 44-3/4" (739 mm x 1137 mm)
Basin area, top:	29-1/16" x 44-3/4" (739 mm x 1137 mm)
Weight:	114 lbs (51.7 kg)
Maximum door height:	72-1/2" (1842 mm)
Maximum door width:	44-3/4" (1137 mm)

**Notes**

- Install this product according to the installation instructions.
- Studs should be positioned roughly as shown. Double studding is recommended for pivot shower door installations.
- Attach grab bars at the specified backerboard locations only.