



Accord®

60" Seated Shower with Grab Bars
72290103-V



Features

- Alcove installation
- 3-1/2" threshold
- Solid Vikrell material
- Durable high-gloss finish
- Pivot snap-together modular design
- No caulk required
- Removable seat; includes three Nickel grab bars (one 80012031 and two 80001024) individually packed inside the wall set box

Recommended Products/Accessories

- 5375EZ-57 Frameless Sliding Shower Door
- 5475-59 Frameless Sliding Shower Door
- 5477-59 Frameless Sliding Shower Door
- 5970-59 Framed Sliding Shower Door
- 5975-59 Framed Sliding Shower Door
- 5976-59 Framed Sliding Shower Door
- 5977-59 Framed Sliding Shower Door
- 547808-59 Frameless Bypass Shower Door
- 572075-59 Framed Sliding Shower Door
- 581075-59 Frameless Sliding Shower Door
- 80001012 12" Grab Bar
- 80001018 18" Grab Bar
- 80001024 24" Grab Bar
- 80011032 32" Grab Bar
- 80001036 36" Grab Bar
- 80012134 34" Grab Bar
- 72286104 Removable Shower Seat

Included Components

Product consists of:

- 71164103-V 60" Bath/Shower Wall Set w/Grab Bars
- 72291100 60" Seated Shower Base
- 72272103-V 60" Shower Back Wall with Grab Bars



Codes/Standards

- CSA B45.5/IAPMO Z124
- ASTM E162
- ASTM E662
- Greenguard UL 2818 - Gold
- HUD, UM Bulletin 73

Warranty – Bathing Fixtures (and) Kitchen and Utility Sinks Made of Solid Vikrell® Material



STERLING® Warranty - Grab Bars

STERLING® Warranty - Bathing & Showering Seats

See website for detailed warranty information.

Available Colors/Finishes

Color tiles intended for reference only.

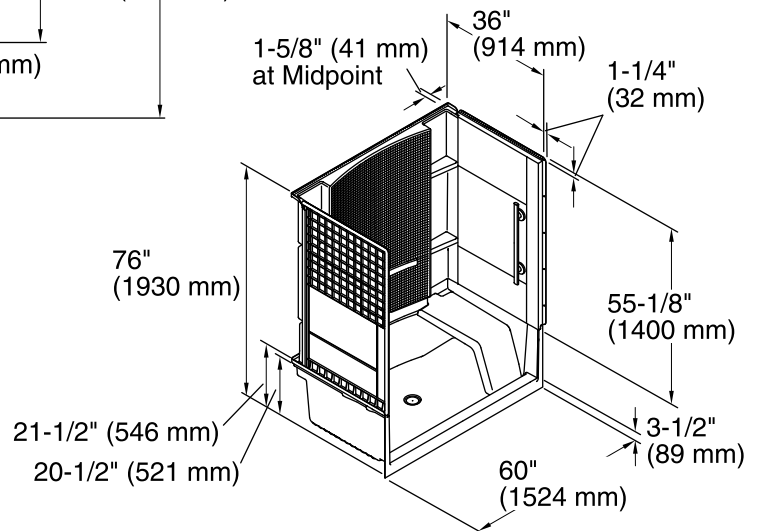
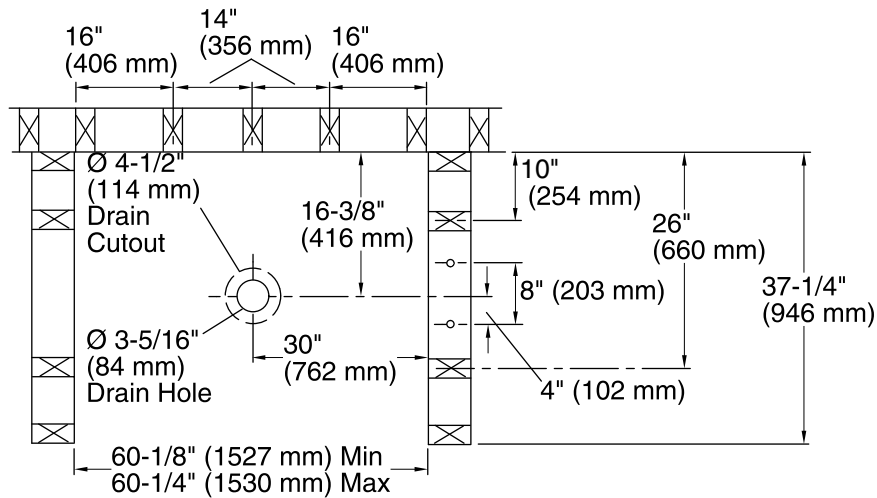
| Color | Code | Description |
|--|------|----------------|
|  | 0 | White |
|  | 96 | KOHLER Biscuit |

1-800-STERLING (1-800-783-7546)

Kohler Co. reserves the right to make revisions without notice to product specifications.

For the most current Specification Sheet, go to www.sterlingplumbing.com.

4-26-2019 00:55 - US



Technical Information

All product dimensions are nominal.

| | |
|------------------------|-------------------|
| Installation: | Three-wall alcove |
| Drain location: | Center |
| Minimum flat for door: | 3-1/4" (83 mm) |
| Threshold height: | 3-1/2" (89 mm) |
| Maximum door height: | 70-5/8" (1794 mm) |
| Maximum door width: | 56-5/8" (1438 mm) |

Notes

Install this product according to the installation instructions.

Studs should be positioned roughly as shown. Double studding is recommended for pivot shower door installations.

Shower base cannot be installed without the wall surround.