



A KOHLER COMPANY

**Accord®**

60" seated shower with Aging in Place grab bars

**72290103-N**



**Features**

- Tongue-and-groove modular design allows for easy installation during any phase of construction.
- Geometric back wall design with convenient shelves for ample storage.
- Easy to clean, durable high-gloss finish.
- Includes removable seat that can be placed on either side of the shower.
- Includes three Aging in Place Nickel grab bars (one 80012134 and two 8001024)

**Material**

- Compression molded from our exclusive solid Vikrell® material.

**Installation**

- Alcove.
- Caulk-free installation.
- Center drain.

**Recommended Products/Accessories**

- 5475-59 Frameless sliding shower door
- 5477-59 Frameless sliding shower door
- 5970-59 Framed sliding shower door
- 5975-59 Framed sliding shower door
- 5976-59 Framed sliding shower door
- 5977-59 Framed sliding shower door
- 547808-59 Frameless sliding shower door
- 572075-59 Framed sliding shower door
- 581075-59 Frameless sliding shower door
- 72286104 Removable bath seat for Series 7228 and 7229
- K-23726 Drain treatment
- K-23723 Faucet cleaner
- K-23733 Vikrell® cleaner

**Included Components**

- Product consists of:
- 71164103-N 60" wall set with Aging in Place grab bars
  - 72291100 60" seated shower base



**Codes/Standards**

- CSA B45.5/IAPMO Z124
- ASTM E162
- ASTM E662
- HUD, UM Bulletin 73



**Warranty – Bathing Fixtures (and Kitchen and Utility Sinks Made of Solid Vikrell® Material)**

**STERLING® Warranty - Grab Bars**  
**STERLING® Warranty - Bathing & Showering Seats**

See website for detailed warranty information.

**Available Colors/Finishes**

*Color tiles intended for reference only.*

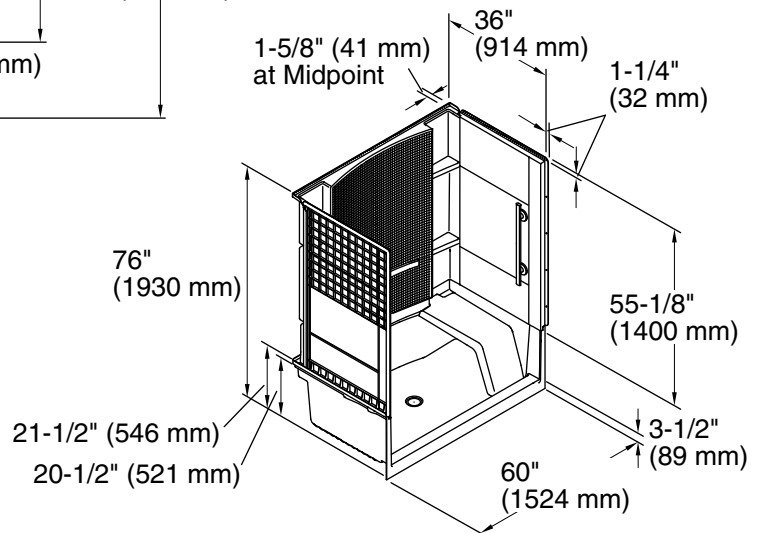
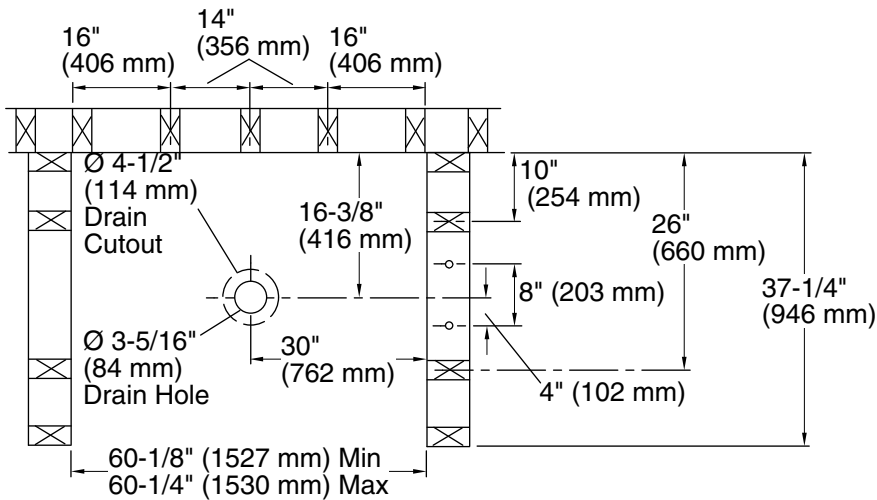
Color	Code	Description
	0	White
	96	KOHLER Biscuit

1-800-STERLING (1-800-783-7546)

Kohler Co. reserves the right to make revisions without notice to product specifications.

For the most current Specification Sheet, go to [www.sterlingplumbing.com](http://www.sterlingplumbing.com).

8-22-2020 14:03 - US



**Technical Information**

All product dimensions are nominal.

Installation: Three-wall alcove

Drain location: Center

Minimum flat for door: 3-1/4" (83 mm)

Threshold height: 3-1/2" (89 mm)

Maximum door height: 70-5/8" (1794 mm)

Maximum door width: 56-5/8" (1438 mm)

**Notes**

Install this product according to the installation instructions.

Studs should be positioned roughly as shown.

Double studding is recommended for pivot shower door installations.

Shower base cannot be installed without the wall surround.