



Accord®

60" seated shower stall
72290100



Features

- 3-1/2" threshold.
- Durable high-gloss finish.
- Center drain.
- Pivot snap-together modular design.
- Removable seat.

Material

- Made from solid Vikrell® material for strength, durability, and lasting beauty.

Installation

- Alcove.
- Caulk-free installation.

Recommended Products/Accessories

- K-23726 Drain treatment
- K-23733 Vikrell® cleaner

Included Components

Product consists of:

- 72291100 60" seated shower base
- 71164100 60" bath/shower wall set
- 72286104 Removable bath seat for Series 7228 and 7229



Codes/Standards



HUD, UM Bulletin 73

Warranty – Bathing Fixtures (and) Kitchen and Utility Sinks Made of Solid Vikrell® Material STERLING® Warranty - Bathing & Showering Seats

See website for detailed warranty information.

Available Colors/Finishes

Color tiles intended for reference only.

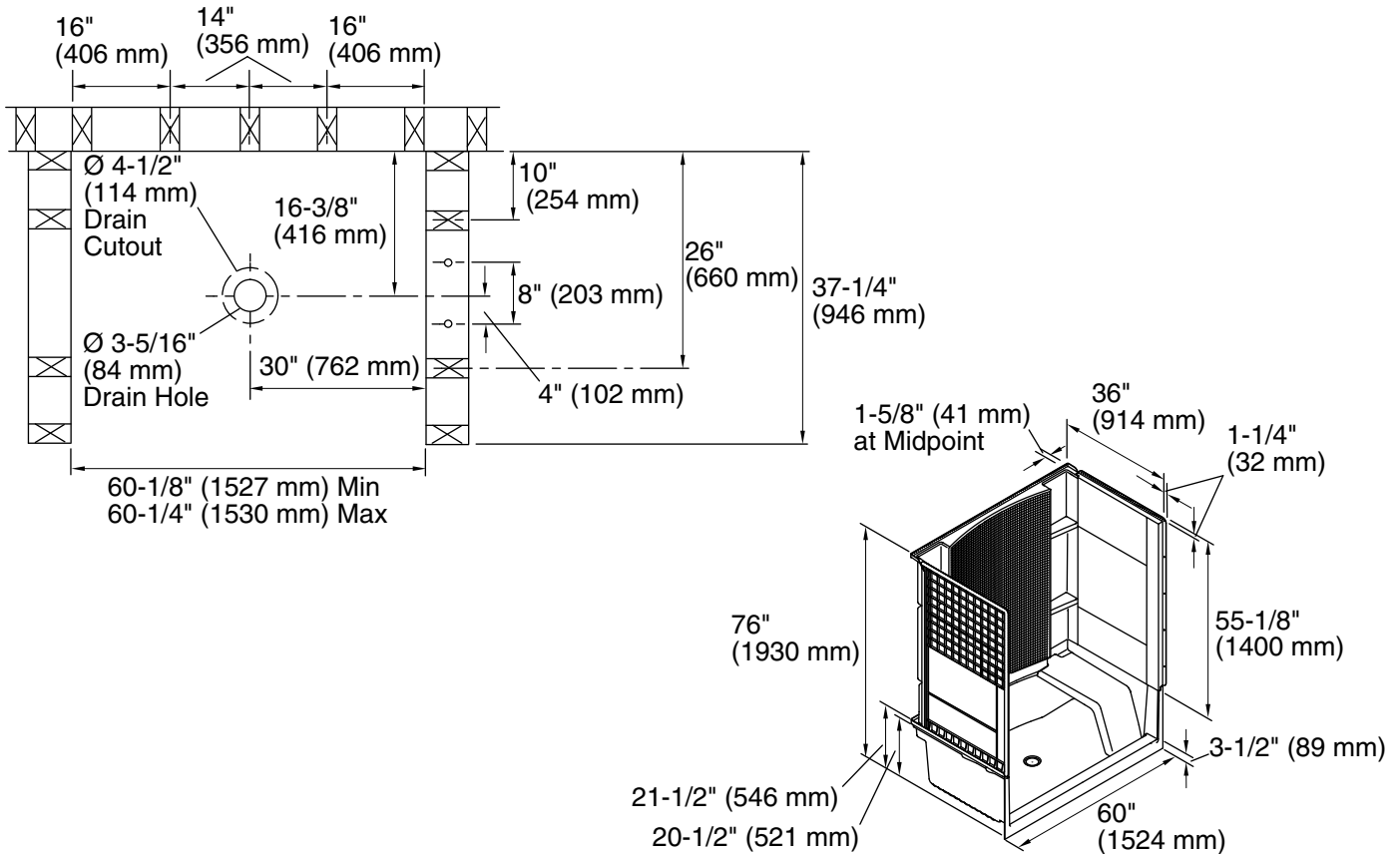
Color	Code	Description
	0	White
	96	KOHLER Biscuit

1-800-STERLING (1-800-783-7546)

Kohler Co. reserves the right to make revisions without notice to product specifications.

For the most current Specification Sheet, go to www.sterlingplumbing.com.

5-6-2020 10:46 - US



Technical Information

All product dimensions are nominal.

Installation: Three-wall alcove
 Drain location: Center
 Minimum flat for door: 3-1/4" (83 mm)
 Threshold height: 3-1/2" (89 mm)
 Maximum door height: 70-5/8" (1794 mm)
 Maximum door width: 56-5/8" (1438 mm)

Notes

Install this product according to the installation instructions.
 Studs should be positioned roughly as shown.
 Double studding is recommended for pivot shower door installations.
 Base cannot be installed without the wall surround.