

Features

- Can be positioned on right side of shower or removed completely
- 12" deep, 16" tall
- Holds up to 300 lb

Material

- Injection-molded polypropylene plastic

Recommended Products/Accessories

- 80001012 12" straight grab bar
- 80001018 18" straight grab bar
- 80001024 24" straight grab bar
- 80011032 32" straight grab bar
- 80001036 36" straight grab bar
- 80012222 22" curved grab bar
- 72280100 48" x 36" Vikrell® seated shower, center drain
- 72280106 48" x 36" Vikrell® seated shower with Aging in Place backerboards, center drain
- 72281100 48" x 36" Vikrell® seated shower base, center drain
- 72284100 48" x 36" Vikrell® seated shower wall set
- 72284106 48" x 36" Vikrell® seated shower wall set with Aging in Place backerboards
- 72290100 60" x 36" Vikrell® seated shower, center drain
- 72290106 60" x 36" Vikrell® seated shower with Aging in Place backerboards, center drain
- 72291100 60" x 36" Vikrell® seated shower base, center drain



Codes/Standards

CSA B45.5/IAPMO Z124

Warranty – Bathing Fixtures (and) Kitchen and Utility Sinks Made of Solid Vikrell® Material

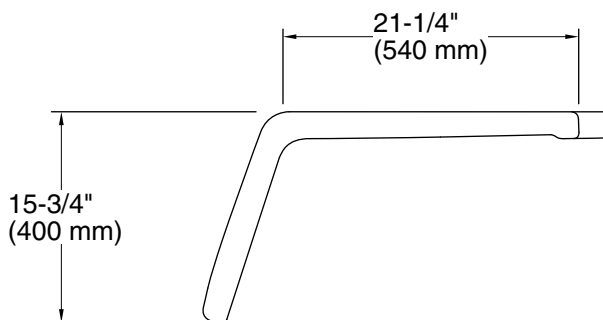
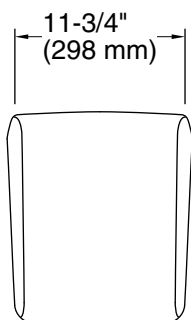
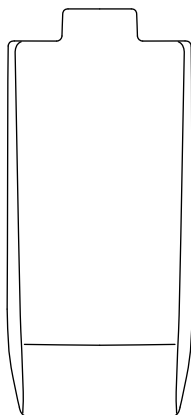
See website for detailed warranty information.

Available Colors/Finishes

Color tiles intended for reference only.

Color Code Description

	0	White
--	---	-------



Technical Information

All product dimensions are nominal.