



**Accord®**

48" seated shower with Aging in Place grab bars  
**72280103-N**



**Features**

- Tongue-and-groove modular design allows for easy installation during any phase of construction.
- Geometric back wall design with convenient shelves for ample storage.
- Easy to clean, durable high-gloss finish.
- Includes removable seat that can be placed on either side of the shower.
- Includes three Aging in Place Nickel grab bars (one 80012222 and two 8001024)

**Material**

- Compression molded from our exclusive solid Vikrell® material.

**Installation**

- Alcove.
- Caulk-free installation.
- Center drain.

**Recommended Products/Accessories**

- 695B-48 Framed sliding shower door
- 1500D-48 Framed pivot shower door
- 1505D-48 Framed pivot shower door
- 1506D-48 Framed pivot shower door
- 1530D-48 Framed pivot shower door
- 1535D-48 Framed pivot shower door
- 5475-48 Frameless sliding shower door
- 5477-48 Frameless sliding shower door
- 5970-48 Framed sliding shower door
- 5975-48 Framed sliding shower door
- 5976-48 Framed sliding shower door
- 5977-48 Framed sliding shower door
- 547808-48 Frameless sliding shower door
- 572075-48 Framed sliding shower door
- 581075-48 Frameless sliding shower door
- 72286104 Removable bath seat for Series 7228 and 7229
- K-23726 Drain treatment
- K-23723 Faucet cleaner
- K-23733 Vikrell® cleaner

**Included Components**

- Product consists of:
- 72284103-N 48" shower wall set with Aging in Place grab bars
  - 72281100 48" seated shower base
  - 72286104 Removable bath seat for Series 7228 and 7229
  - 72286104 Removable bath seat for Series 7228 and 7229
  - 72281100 48" seated shower base
  - 72284103-N 48" shower wall set with Aging in Place grab bars



**Codes/Standards**

- CSA B45.5/IAPMO Z124
- ASTM E162
- ASTM E662
- HUD, UM Bulletin 73



**Warranty – Bathing Fixtures (and Kitchen and Utility Sinks Made of Solid Vikrell® Material)**

**STERLING® Warranty - Grab Bars**  
**STERLING® Warranty - Bathing & Showering Seats**

See website for detailed warranty information.

**Available Colors/Finishes**

*Color tiles intended for reference only.*

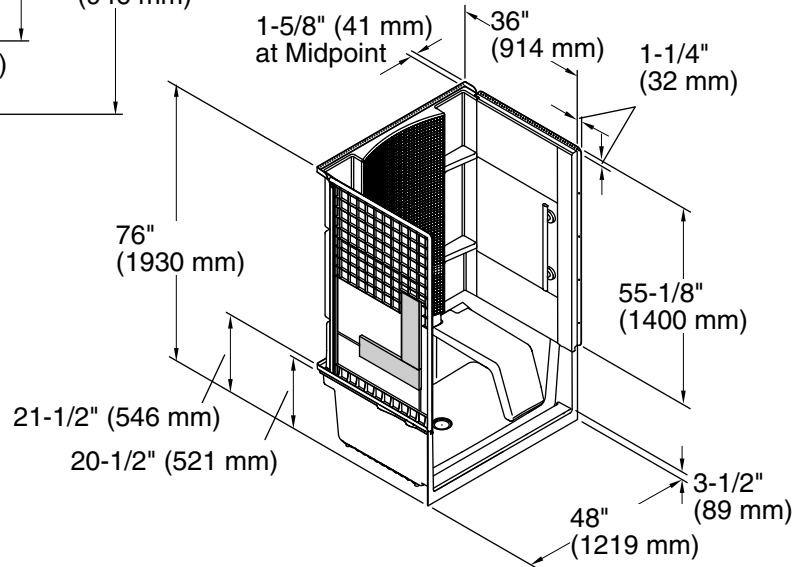
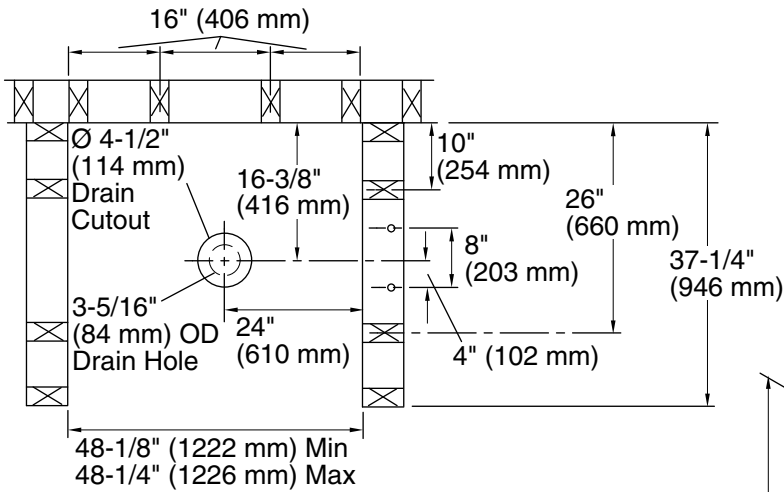
Color	Code	Description
	0	White
	96	KOHLER Biscuit

1-800-STERLING (1-800-783-7546)

Kohler Co. reserves the right to make revisions without notice to product specifications.

For the most current Specification Sheet, go to [www.sterlingplumbing.com](http://www.sterlingplumbing.com).

8-22-2020 14:00 - US



**Technical Information**

All product dimensions are nominal.

- Installation: Three-wall alcove
- Drain location: Center
- Minimum flat for door: 3-1/4" (83 mm)
- Threshold height: 3-1/2" (89 mm)
- Maximum door height: 70-5/8" (1794 mm)
- Maximum door width: 44-5/8" (1133 mm)

**Notes**

- Install this product according to the installation instructions.
- Studs should be positioned roughly as shown. Double studding is recommended for pivot shower door installations.
- Base cannot be installed without the wall surround.