



Accord®

**48" Seated Shower with Grab Bars
72280103-N**



Features

- 48" Shower Module
- Made from solid Vikrell material for strength, durability, and lasting beauty
- Modular design allows for easy installation during any phase of construction
- Geometric back wall provides visual interest and ample storage shelves
- 12" wide seat can be positioned on the left or right side of the shower or it can be removed for regular showering
- Ample storage shelves are recessed leaving a more spacious feeling shower
- High-gloss finish provides a smooth, shiny surface that is easy to clean
- No caulking required in the seams
- Includes three Sterling Age-In-Place grab bars: one 80012222 and two 8001024



Recommended Products/Accessories

- 695B-48 Framed Sliding Shower Door
- 1500D-48 Framed Pivot Shower Door
- 1505D-48 Framed Pivot Shower Door
- 1506D-48 Framed Pivot Shower Door
- 1530D-48 Framed Pivot Shower Door
- 1535D-48 Framed Pivot Shower Door
- 5375EZ-45 Frameless Sliding Shower Door
- 5475-48 Frameless Sliding Shower Door
- 5477-48 Frameless Sliding Shower Door
- 5970-48 Framed Sliding Shower Door
- 5975-48 Framed Sliding Shower Door
- 5976-48 Framed Sliding Shower Door
- 5977-48 Framed Sliding Shower Door
- 547808-48 Frameless Sliding Shower Door
- 572075-48 Framed Sliding Shower Door
- 581075-48 Frameless sliding shower door
- 80001012 12" Grab Bar
- 80001018 18" Grab Bar
- 80001024 24" Grab Bar
- 80011032 32" Grab Bar
- 80001036 36" Grab Bar
- 80012222 22" Grab Bar
- 72286104 Removable Shower Seat

Included Components

- Product consists of:
- 72286104 Removable Shower Seat
 - 72281100 48" Seated Shower Base
 - 72284103-N 48" Seated Shower Wall Set w/Grab Bars

Codes/Standards

- CSA B45.5/IAPMO Z124
- ASTM E162
- ASTM E662
- Greenguard UL 2818 - Gold
- HUD, UM Bulletin 73

Warranty – Bathing Fixtures (and Kitchen and Utility Sinks Made of Solid Vikrell® Material)

STERLING® Warranty - Grab Bars
STERLING® Warranty - Bathing & Showering Seats

See website for detailed warranty information.

Available Colors/Finishes

Color tiles intended for reference only.

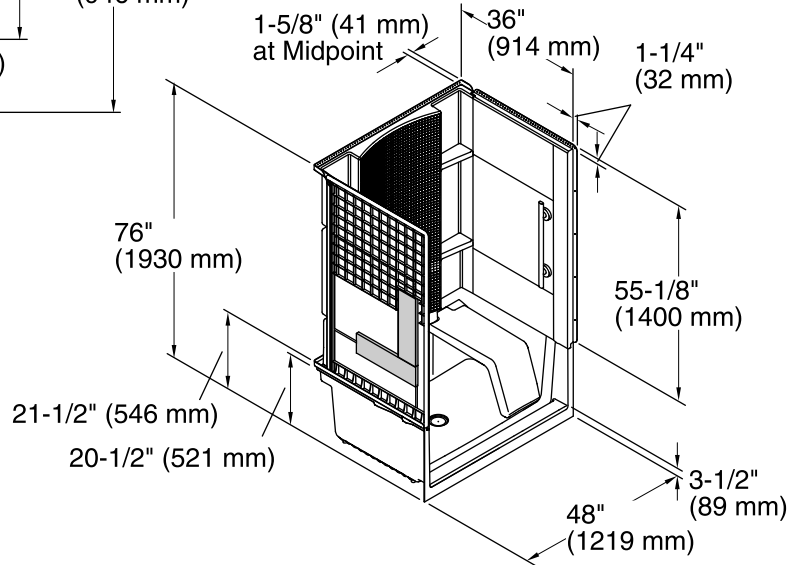
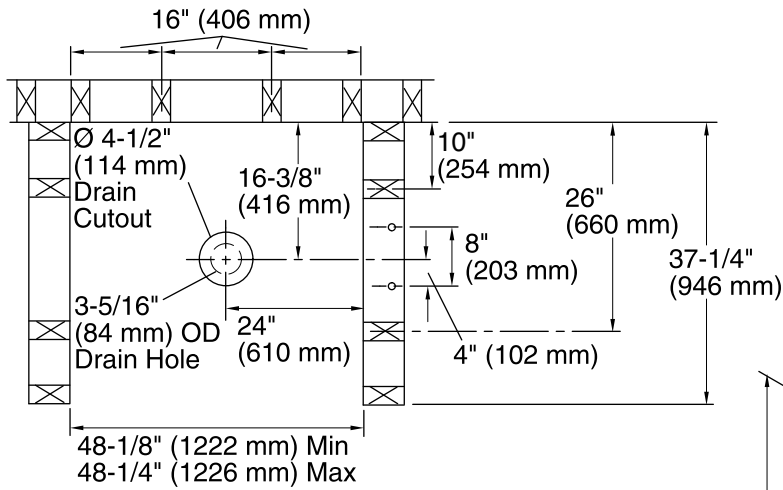
Color	Code	Description
	0	White
	96	KOHLER Biscuit

1-800-STERLING (1-800-783-7546)

Kohler Co. reserves the right to make revisions without notice to product specifications.

For the most current Specification Sheet, go to www.sterlingplumbing.com.

4-26-2019 00:52 - US



Technical Information

All product dimensions are nominal.

Installation: Three-wall alcove

Drain location: Center

Minimum flat for door: 3-1/4" (83 mm)

Threshold height: 3-1/2" (89 mm)

Maximum door height: 70-5/8" (1794 mm)

Maximum door width: 44-5/8" (1133 mm)

Notes

Install this product according to the installation instructions.

Studs should be positioned roughly as shown.

Double studding is recommended for pivot shower door installations.

Base cannot be installed without the wall surround.