



Accord®

48" seated shower stall
72280100



Features

- 3-1/2" threshold.
- Durable high-gloss finish.
- Center drain.
- Three-piece, tongue-and-groove walls with snap-together installation.
- Removable seat.

Material

- Made from solid Vikrell® material for strength, durability, and lasting beauty.

Installation

- Alcove.
- Caulk-free installation.

Recommended Products/Accessories

- K-23726 Drain treatment
- K-23733 Vikrell® cleaner

Included Components

- Product consists of:
- 72281100 48" seated shower base
 - 72284100 48" wall set
 - 72286104 Removable bath seat for Series 7228 and 7229



Codes/Standards



HUD, UM Bulletin 73

Warranty – Bathing Fixtures (and Kitchen and Utility Sinks Made of Solid Vikrell® Material) STERLING® Warranty - Bathing & Showering Seats

See website for detailed warranty information.

Available Colors/Finishes

Color tiles intended for reference only.

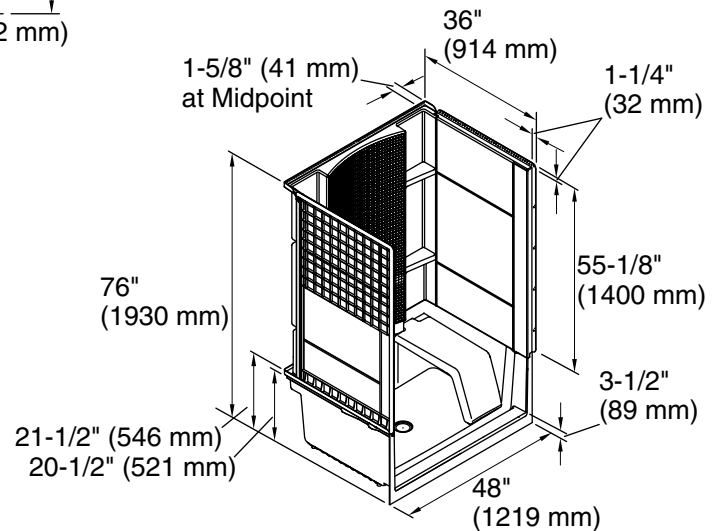
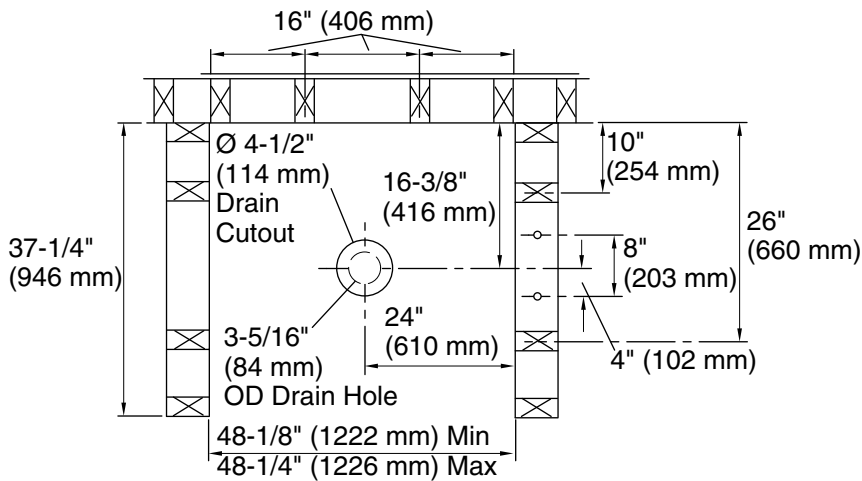
Color	Code	Description
	0	White
	96	KOHLER Biscuit

1-800-STERLING (1-800-783-7546)

Kohler Co. reserves the right to make revisions without notice to product specifications.

For the most current Specification Sheet, go to www.sterlingplumbing.com.

5-6-2020 10:44 - US



Technical Information

All product dimensions are nominal.

- Installation: Three-wall alcove
- Drain location: Center
- Minimum flat for door: 3-1/4" (83 mm)
- Threshold height: 3-1/2" (89 mm)
- Maximum door height: 70-5/8" (1794 mm)
- Maximum door width: 44-5/8" (1133 mm)

Notes

- Install this product according to the installation instructions.
- Studs should be positioned roughly as shown. Double studding is recommended for pivot shower door installations.
- Base cannot be installed without the wall surround.