



Features

- 3-1/2" threshold
- Durable high-gloss finish
- Pivot snap-together modular design
- Geometric back-wall design
- Convenient shelves provide generous storage space
- Aging in Place backerboards

Material

- Made from solid Vikrell® material for strength, durability, and lasting beauty

Installation

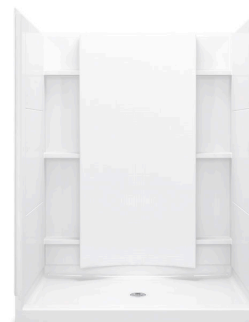
- Alcove
- Center drain
- Caulk-free installation

Recommended Products/Accessories

- 5475-59 Frameless sliding shower door
- 5477-59 Frameless sliding shower door
- 5970-59 Framed sliding shower door
- 5975-59 Framed sliding shower door
- 5976-59 Framed sliding shower door
- 5977-59 Framed sliding shower door
- 547808-59 Frameless sliding shower door
- 581075-59 Frameless sliding shower door
- 80001012 12" straight grab bar
- 80001018 18" straight grab bar
- 80001024 24" straight grab bar
- 80011032 32" straight grab bar
- 80001036 36" straight grab bar
- 80012031 28" curved grab bar
- K-23726 Drain treatment
- K-23733 Vikrell® cleaner

Included Components

- Product consists of:
- 72245106
 - 72271100
 - 72272106



Codes/Standards



- CSA B45.5/IAPMO Z124
- ASTM E162
- ASTM E662
- HUD, UM Bulletin 73

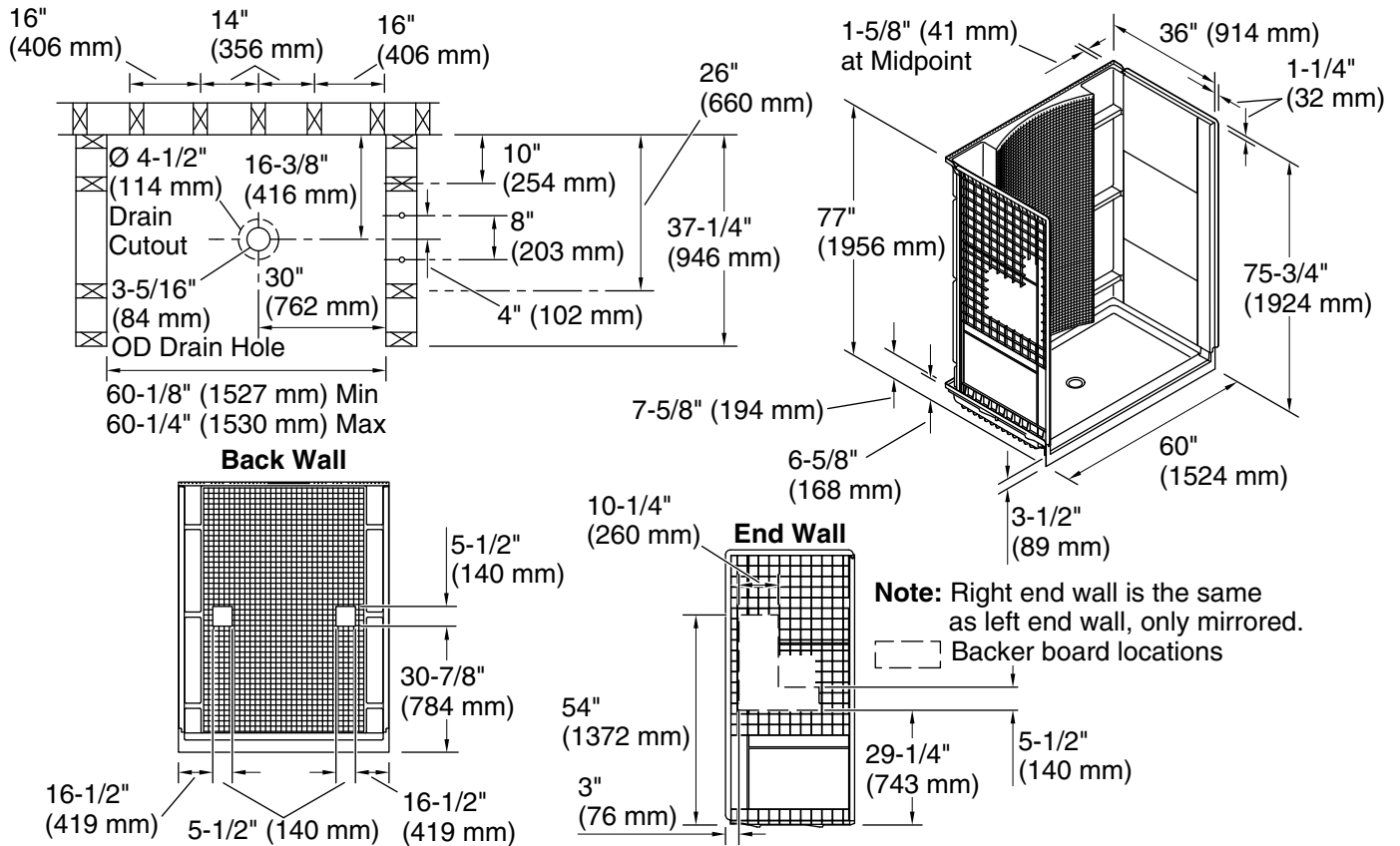
STERLING® Vikrell® or Acrylic Baths and Shower Bases Ten-Year Limited Warranty

See website for detailed warranty information.

Available Colors/Finishes

Color tiles intended for reference only.

Color	Code	Description
	0	White
	96	KOHLER Biscuit



Technical Information

All product dimensions are nominal.

Installation:	Three-wall alcove
Drain location:	Center
Maximum door height:	72" (1829 mm)
Maximum door width:	56-5/8" (1438 mm)

Notes

- Install this product according to the installation instructions.
- Receptor cannot be installed without the wall surround.
- Attach grab bars at the specified backerboard locations only.
- Studs should be positioned roughly as shown.
- Double studding is recommended for pivot shower door installations.