



**Features**

- 3-1/2" threshold.
- Durable high-gloss finish.
- Center drain.
- Three-piece, tongue-and-groove walls with snap-together installation.
- Geometric back-wall design.
- Convenient shelves provide generous storage space.
- Aging In Place backerboards.

**Material**

- Made from solid Vikrell® material for strength, durability, and lasting beauty.

**Installation**

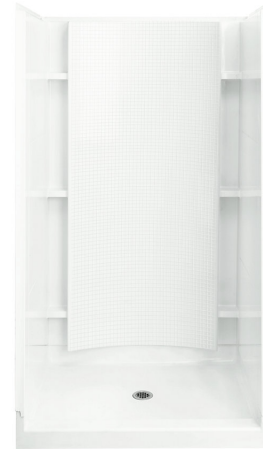
- Alcove.
- Caulk-free installation.

**Recommended Products/Accessories**

- 1500D-42 Framed pivot shower door
- 1505D-42 Framed pivot shower door
- 1530D-42 Framed pivot shower door
- 1535D-42 Framed pivot shower door
- 5960-43 Framed sliding shower door
- 6505-39 Framed pivot shower door
- 6506-39 Framed pivot shower door
- 80001012 12" straight grab bar
- 80001018 18" straight grab bar
- 80001024 24" straight grab bar
- 80011032 32" straight grab bar
- 80001036 36" straight grab bar
- K-23726 Drain treatment
- K-23733 Vikrell® cleaner

**Included Components**

- Product consists of:
- 72245106 36" x 72-1/4" shower end wall set w/Aging in Place backerboards
  - 72251100 42" x 36" shower base
  - 72252100 42" x 72-1/4" shower back wall



**Codes/Standards**



- CSA B45.5/IAPMO Z124
- ASTM E162
- ASTM E662
- HUD, UM Bulletin 73

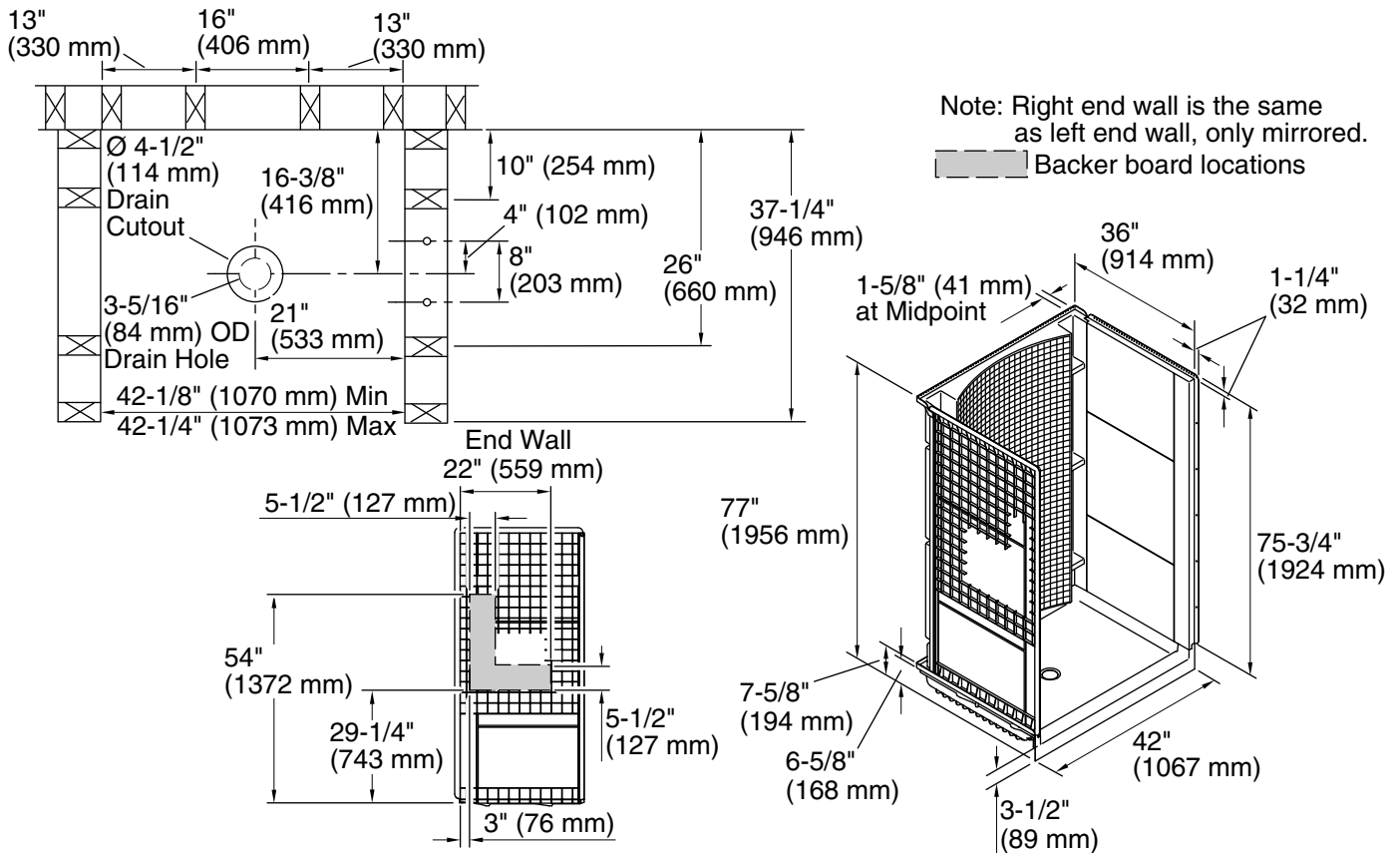
**Warranty – Bathing Fixtures (and) Kitchen and Utility Sinks Made of Solid Vikrell® Material**

See website for detailed warranty information.

**Available Colors/Finishes**

*Color tiles intended for reference only.*

Color	Code	Description
	0	White
	96	KOHLER Biscuit



### Technical Information

All product dimensions are nominal.

Installation: Three-wall alcove

Drain location: Center

Minimum flat for door: 3-1/4" (83 mm)

Threshold height: 3-1/2" (89 mm)

Maximum door height: 72" (1829 mm)

Maximum door width: 38-5/8" (981 mm)

### Notes

Install this product according to the installation instructions.

Receptor cannot be installed without the wall surround.

Attach grab bars at the specified backerboard locations only.

Studs should be positioned roughly as shown.

Double studding is recommended for pivot shower door installations.