



Accord®

42" shower with AIP grab bars
72250103-V



Features

- Durable high-gloss finish.
- Convenient shelves provide generous storage space.
- Geometric back wall design adds visual interest.
- 42" (1067 mm) x 36" (914 mm) x 75-3/4" (1926 mm) complete unit finished dimensions.
- Includes unattached Age-in-Place grab bars in Matte Silver finish.

Material

- Compression molded from our exclusive solid Vikrell® material.

Installation

- Four-piece modular design with pivot "snap together" installation.
- Caulk-free installation.
- Modular design allows it to be moved around corners and through doorways with ease.

Recommended Products/Accessories

- 1500D-42 Framed pivot shower door
- 1505D-42 Framed pivot shower door
- 1530D-42 Framed pivot shower door
- 1535D-42 Framed pivot shower door
- 5960-43 Framed sliding shower door
- 6505-39 Framed pivot shower door
- 6506-39 Framed pivot shower door
- 80001012 12" straight grab bar
- 80001018 18" straight grab bar
- 80001024 24" straight grab bar
- 80011032 32" straight grab bar
- 80001036 36" straight grab bar
- K-23726 Drain treatment
- K-23723 Faucet cleaner

Included Components

Product consists of:

- 72252100 42" x 72-1/4" shower back wall
- 72251100 42" x 36" shower base
- 72245103-V 36" end wall set with Aging in Place grab bars



Codes/Standards

- CSA B45.5/IAPMO Z124
- ASTM E162
- ASTM E662
- HUD, UM Bulletin 73



Warranty – Bathing Fixtures (and) Kitchen and Utility Sinks Made of Solid Vikrell® Material

STERLING® Warranty - Grab Bars

See website for detailed warranty information.

Available Colors/Finishes

Color tiles intended for reference only.

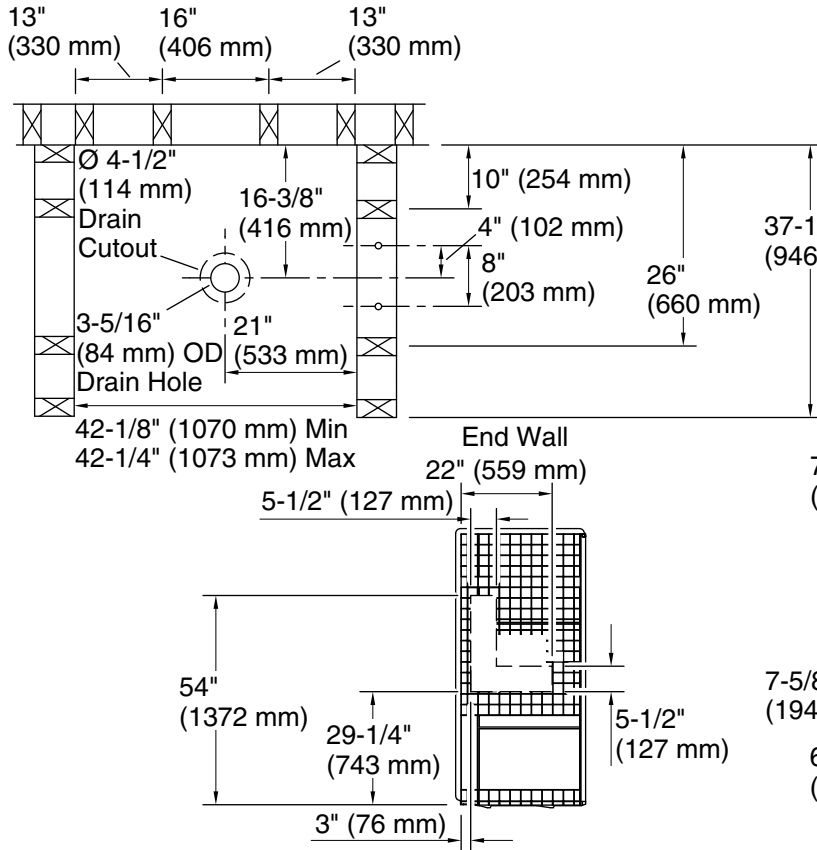
Color	Code	Description
	0	White
	96	KOHLER Biscuit

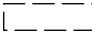
1-800-STERLING (1-800-783-7546)

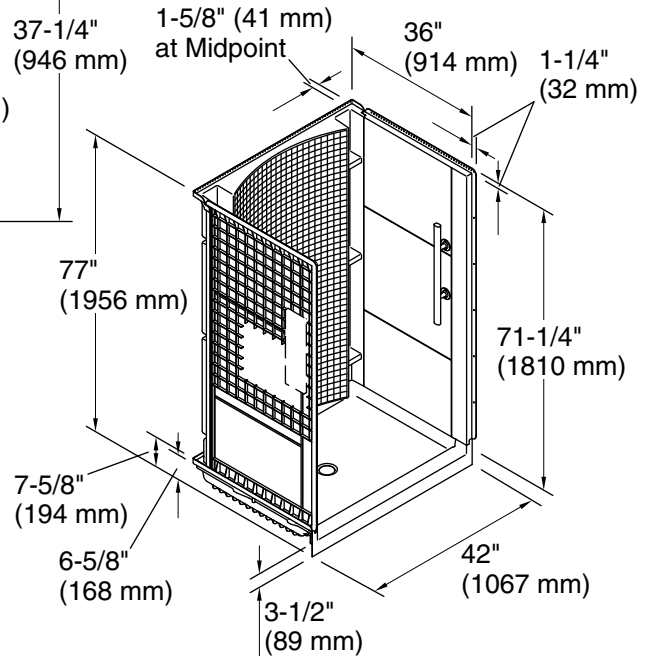
Kohler Co. reserves the right to make revisions without notice to product specifications.

For the most current Specification Sheet, go to www.sterlingplumbing.com.

8-22-2020 13:53 - US



Note: Right end wall is the same as left end wall, only mirrored.
 Backer board locations



Technical Information

All product dimensions are nominal.

Installation: Three-wall alcove
 Drain location: Center
 Minimum flat for door: 3-1/4" (83 mm)
 Threshold height: 3-1/2" (89 mm)
 Maximum door height: 72" (1829 mm)
 Maximum door width: 38-5/8" (981 mm)

Notes

Install this product according to the installation instructions.
 Studs should be positioned roughly as shown. Double studding is recommended for pivot shower door installations.
 Attach grab bars at the specified backer board locations only.
 Shower base cannot be installed without the wall surround.