



Accord®
42" x 36" x 75-3/4" shower stall
72250100



Features

- 3-1/2" threshold.
- Durable high-gloss finish.
- Center drain.
- Three-piece tongue-and-groove walls with snap-together installation.
- Geometric back-wall design.
- Convenient shelves provide generous storage space.

Material

- Made from solid Vikrell® material for strength, durability, and lasting beauty.

Installation

- Alcove.
- Caulk-free installation.

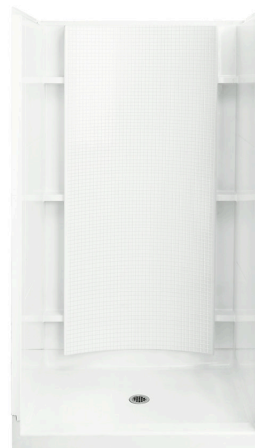
Recommended Products/Accessories

- K-23726 Drain treatment
- K-23733 Vikrell® cleaner

Included Components

Product consists of:

- 72245100 36" x 72-1/4" shower end wall set
- 72251100 42" x 36" shower base
- 72252100 42" x 72-1/4" shower back wall



Codes/Standards



- CSA B45.5/IAPMO Z124
- ASTM E162
- ASTM E662
- HUD, UM Bulletin 73

Warranty – Bathing Fixtures (and Kitchen and Utility Sinks Made of Solid Vikrell® Material)

See website for detailed warranty information.

Available Colors/Finishes

Color tiles intended for reference only.

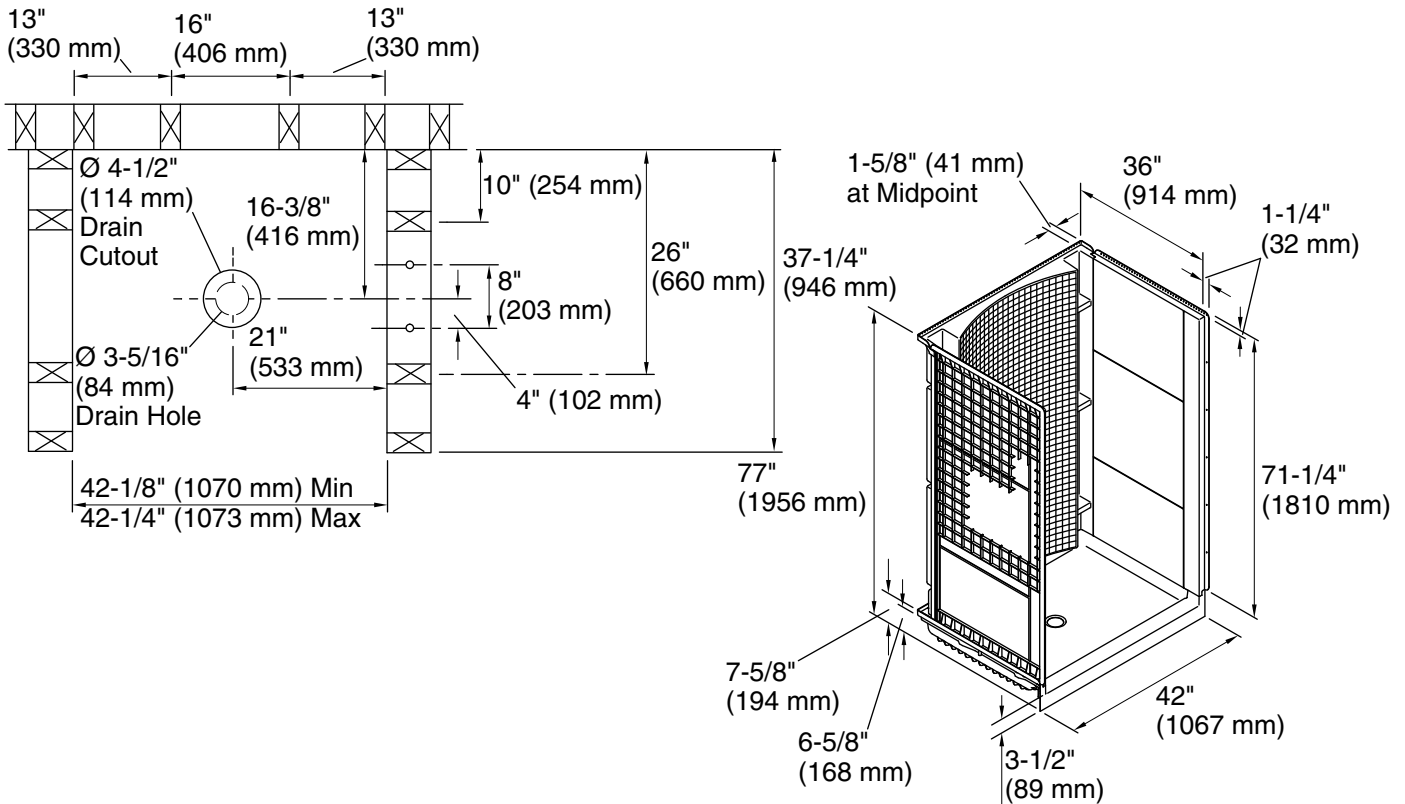
Color	Code	Description
	0	White
	96	KOHLER Biscuit

1-800-STERLING (1-800-783-7546)

Kohler Co. reserves the right to make revisions without notice to product specifications.

For the most current Specification Sheet, go to www.sterlingplumbing.com.

5-29-2021 07:45 - US/CA



Technical Information

All product dimensions are nominal.

Installation:	Three-wall alcove
Drain location:	Center
Maximum door height:	72" (1829 mm)
Maximum door width:	38-5/8" (981 mm)

Notes

- Install this product according to the installation instructions.
- Studs should be positioned roughly as shown.
- Double studding is recommended for pivot shower door installations.
- Base cannot be installed without the wall surround.