

STERLING

A KOHLER COMPANY

36" x 36" alcove shower stall w/Aging in Place backerboards

Accord®

72240106



Features

- 3-1/2" threshold.
- Durable high-gloss finish.
- Pivot snap-together modular design.
- Geometric back-wall design.
- Convenient shelves provide generous storage space.
- Aging In Place backerboards.

Material

- Made from solid Vikrell® material for strength, durability, and lasting beauty.

Installation

- Alcove.
- Caulk-free installation.

Recommended Products/Accessories

- 1500D-36 Framed pivot shower door
- 1505D-36 Framed pivot shower door
- 1507D-36 Framed pivot shower door
- 1530D-36 Framed pivot shower door
- 1535D-36 Framed pivot shower door
- 6505-33 Framed pivot shower door
- 80001012 12" straight grab bar
- 80001018 18" straight grab bar
- 80001024 24" straight grab bar
- 80011032 32" straight grab bar
- 80001036 36" straight grab bar
- K-23726 Drain treatment
- K-23733 Vikrell® cleaner

Included Components

Product consists of:

- 72245106 36" x 72-1/4" shower end wall set w/Aging in Place backerboards
- 72241100 36" x 36" shower base
- 72242100 36" x 72-1/4" shower back wall



Codes/Standards

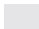

- CSA B45.5/IAPMO Z124
- ASTM E162
- ASTM E662
- HUD, UM Bulletin 73

Warranty – Bathing Fixtures (and) Kitchen and Utility Sinks Made of Solid Vikrell® Material

See website for detailed warranty information.

Available Colors/Finishes

Color tiles intended for reference only.

Color	Code	Description
	0	White
	96	KOHLER Biscuit

1-800-STERLING (1-800-783-7546)

Kohler Co. reserves the right to make revisions without notice to product specifications.

For the most current Specification Sheet, go to www.sterlingplumbing.com.

8-22-2020 13:51 - US

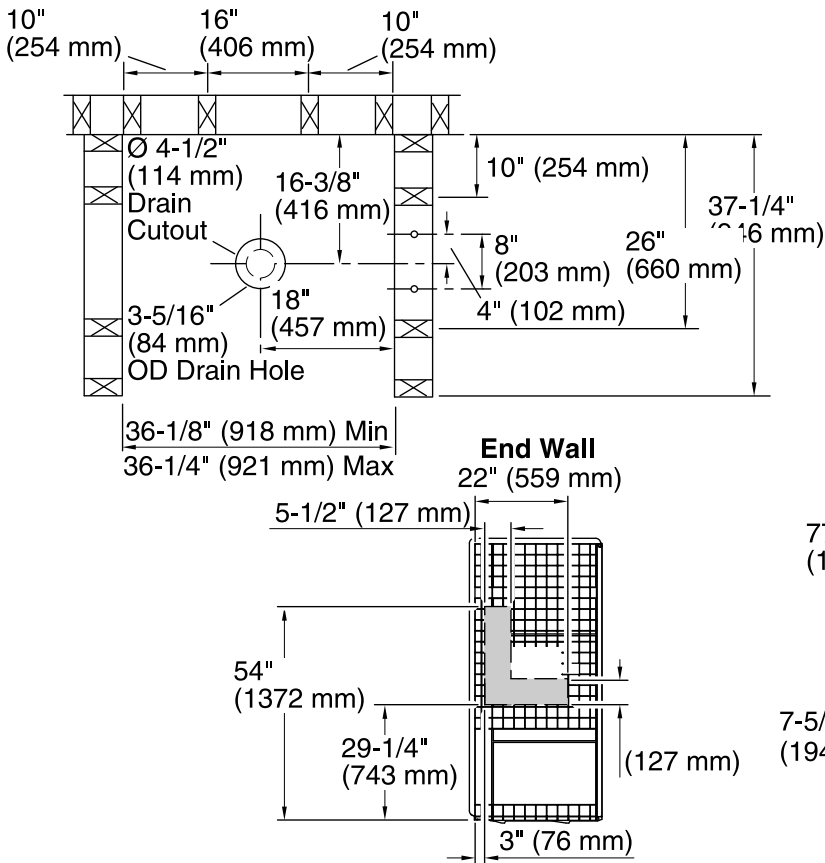
STERLING

A KOHLER COMPANY

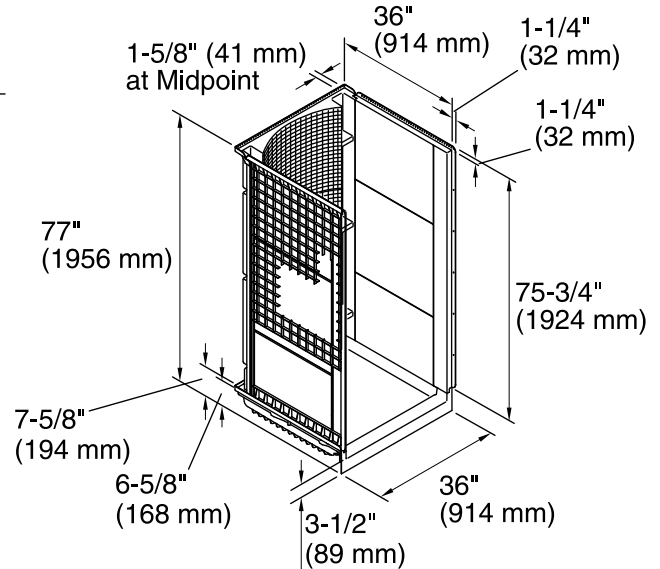
Accord®

36" x 36" alcove shower stall w/Aging in Place backerboards

72240106



Note: Right end wall is the same as left end wall, only mirrored.
Backer board locations



Technical Information

All product dimensions are nominal.

Installation: Three-wall alcove

Drain location: Center

Minimum flat for door: 3-1/4" (83 mm)

Threshold height: 3-1/2" (89 mm)

Maximum door height: 72" (1829 mm)

Maximum door width: 32-5/8" (829 mm)

Notes

Install this product according to the installation instructions.

Studs should be positioned roughly as shown.

Double studding is recommended for pivot shower door installations.

Attach grab bars at the specified backer board locations only.