



# Ensemble™

## 48-1/4" x 34" curve shower stall w/AIP backerboards

### 72220106



#### Features

- 4-1/2" (114 mm) threshold.
- Durable high-gloss finish.
- Center drain.
- Three-piece tongue-and-groove walls with snap-together installation.
- Convenient shelves, shaving ledge/footrest.
- Aging in Place backerboards.

#### Material

- Made from solid Vikrell® material for strength, durability, and lasting beauty.

#### Installation

- Alcove.
- Some caulk required for proper installation.

#### Recommended Products/Accessories

- 1500D-48 Framed pivot shower door
- 1505D-48 Framed pivot shower door
- 1506D-48 Framed pivot shower door
- 1530D-48 Framed pivot shower door
- 1535D-48 Framed pivot shower door
- 5475-48 Frameless sliding shower door
- 5477-48 Frameless sliding shower door
- 5970-48 Framed sliding shower door
- 5975-48 Framed sliding shower door
- 5976-48 Framed sliding shower door
- 5977-48 Framed sliding shower door
- 547808-48 Frameless sliding shower door
- 581075-48 Frameless sliding shower door
- 80001012 12" straight grab bar
- 80001018 18" straight grab bar
- 80001024 24" straight grab bar
- 80011032 32" straight grab bar
- 80001036 36" straight grab bar
- K-23726 Drain treatment
- K-23733 Vikrell® cleaner

#### Included Components

Product consists of:

- 72121100
- 72222106
- 72205106



#### Codes/Standards



- CSA B45.5/IAPMO Z124
- ASTM E162
- ASTM E662
- HUD, UM Bulletin 73

#### Warranty – Bathing Fixtures (and Kitchen and Utility Sinks Made of Solid Vikrell® Material)

See website for detailed warranty information.

#### Available Colors/Finishes

*Color tiles intended for reference only.*

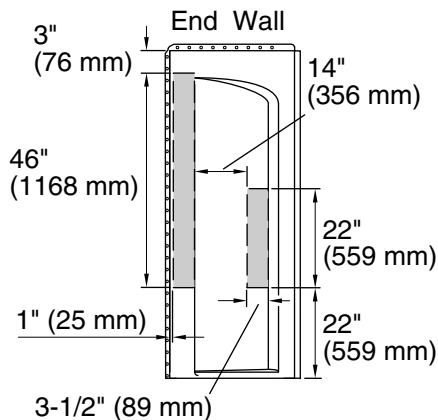
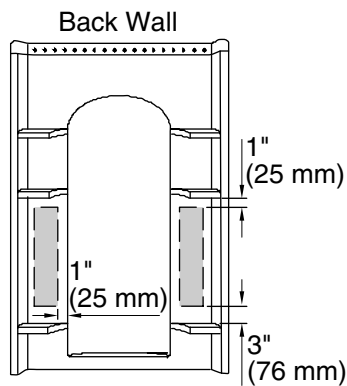
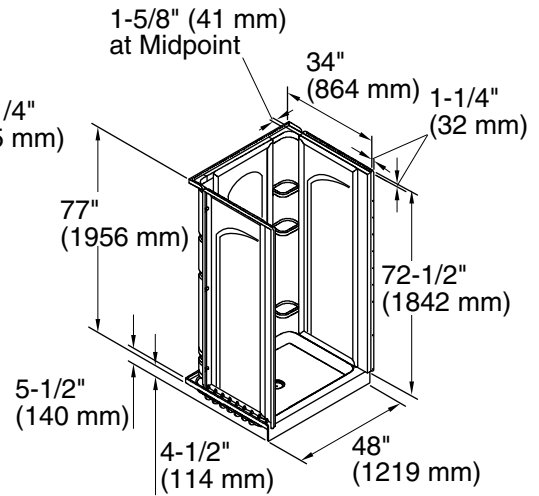
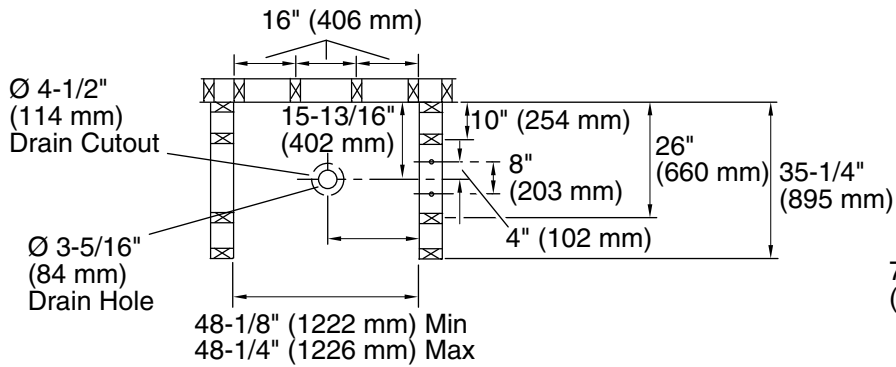
Color	Code	Description
	0	White
	96	KOHLER Biscuit

1-800-STERLING (1-800-783-7546)

Kohler Co. reserves the right to make revisions without notice to product specifications.

For the most current Specification Sheet, go to [www.sterlingplumbing.com](http://www.sterlingplumbing.com).

12-29-2021 10:48 - US/CA



Note: Right and left end walls are the same, only mirrored.

Backer board locations

**Technical Information**

All product dimensions are nominal.

Installation:	Three-wall alcove
Drain location:	Center
Maximum door height:	70-1/2" (1791 mm)
Maximum door width:	44-5/8" (1133 mm)

**Notes**

- Install this product according to the installation instructions.
- Attach grab bars at the specified backer board locations only.
- Studs should be positioned roughly as shown.
- Double studding is recommended for pivot shower door installations.