



A KOHLER COMPANY

Ensemble™

48" curve alcove shower
72220100



Features

- 4-1/2" threshold.
- Durable high-gloss finish.
- Center drain.
- Three-piece, tongue-and-groove walls with snap-together installation.
- Convenient shelves, shaving ledge/footrest.

Material

- Made from solid Vikrell® material for strength, durability, and lasting beauty.

Installation

- Alcove.
- Some caulk required for proper installation.

Recommended Products/Accessories

- K-23726 Drain treatment
- K-23733 Vikrell® cleaner

Included Components

- Product consists of:
- 72205100 36" x 72-1/2" shower end wall set
 - 72121100 48" shower base
 - 72222100 48" x 72-1/2" curve alcove shower back wall



Codes/Standards



- CSA B45.5/IAPMO Z124
- ASTM E162
- ASTM E662
- HUD, UM Bulletin 73

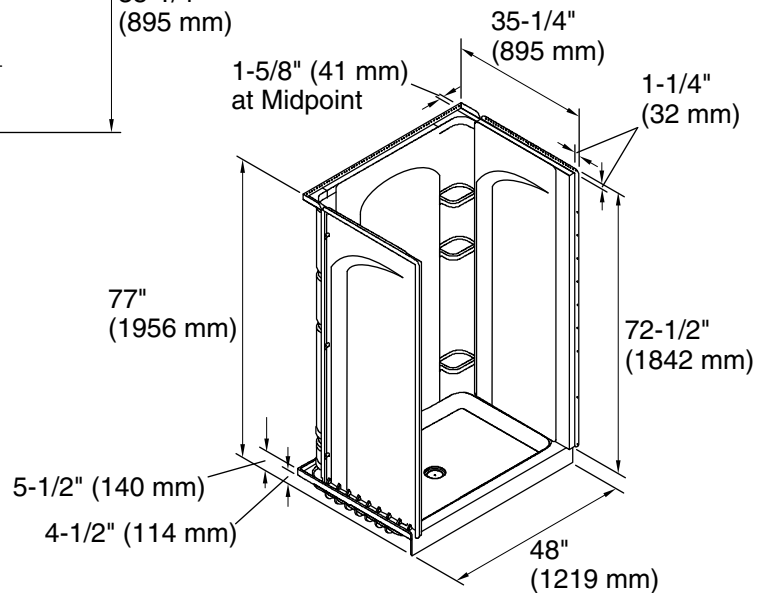
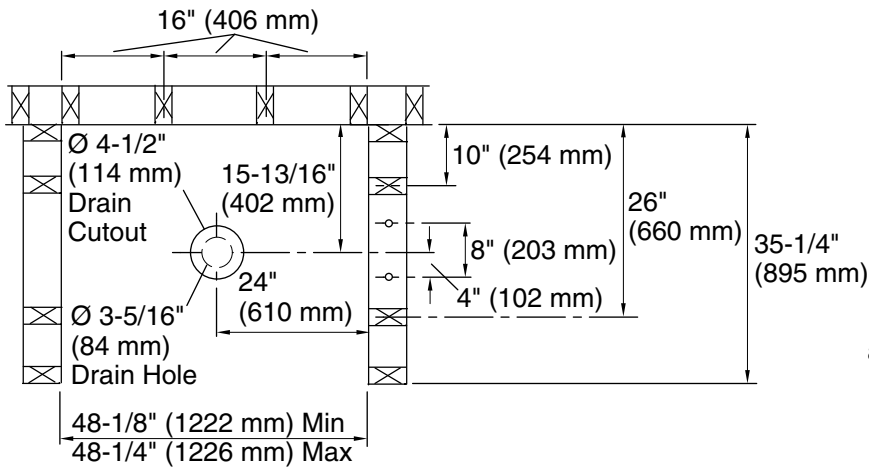
Warranty – Bathing Fixtures (and) Kitchen and Utility Sinks Made of Solid Vikrell® Material

See website for detailed warranty information.

Available Colors/Finishes

Color tiles intended for reference only.

Color	Code	Description
	0	White
	96	KOHLER Biscuit



Technical Information

All product dimensions are nominal.

- Installation: Three-wall alcove
- Drain location: Center
- Minimum flat for door: 3" (76 mm)
- Threshold height: 4-1/2" (114 mm)
- Maximum door height: 70-1/2" (1791 mm)
- Maximum door width: 44-5/8" (1133 mm)

Notes

- Install this product according to the installation instructions.
- Studs should be positioned roughly as shown.
- Double studding is recommended for pivot shower door installations.