

STERLING

A KOHLER COMPANY

42" x 34" curve alcove shower stall w/ AIP backerboards

Ensemble™

72210106



Features

- 4-1/2" (114 mm) threshold.
- Durable high-gloss finish.
- Center drain.
- Three-piece tongue-and-groove walls with snap-together installation.
- Convenient shelves, shaving ledge/footrest.
- Aging in Place backerboards.

Material

- Made from solid Vikrell® material for strength, durability, and lasting beauty.

Installation

- Alcove.
- Some caulk required for proper installation.

Recommended Products/Accessories

- 1500D-42 Framed pivot shower door
- 1505D-42 Framed pivot shower door
- 1530D-42 Framed pivot shower door
- 1535D-42 Framed pivot shower door
- 5960-43 Framed sliding shower door
- 80001012 12" straight grab bar
- 80001018 18" straight grab bar
- 80001024 24" straight grab bar
- 80011032 32" straight grab bar
- 80001036 36" straight grab bar
- K-23726 Drain treatment
- K-23733 Vikrell® cleaner

Included Components

Product consists of:

- 72205106 34" x 72-1/2" shower end wall set w/AIP backerboards
- 72111100 42" x 34" shower base
- 72212106 34" x 72-1/2" curve shower back wall w/AIP backerboard



Codes/Standards

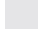

- CSA B45.5/IAPMO Z124
- ASTM E162
- ASTM E662
- HUD, UM Bulletin 73

Warranty – Bathing Fixtures (and Kitchen and Utility Sinks Made of Solid Vikrell® Material)

See website for detailed warranty information.

Available Colors/Finishes

Color tiles intended for reference only.

Color	Code	Description
	0	White
	96	KOHLER Biscuit

1-800-STERLING (1-800-783-7546)

Kohler Co. reserves the right to make revisions without notice to product specifications.

For the most current Specification Sheet, go to www.sterlingplumbing.com.

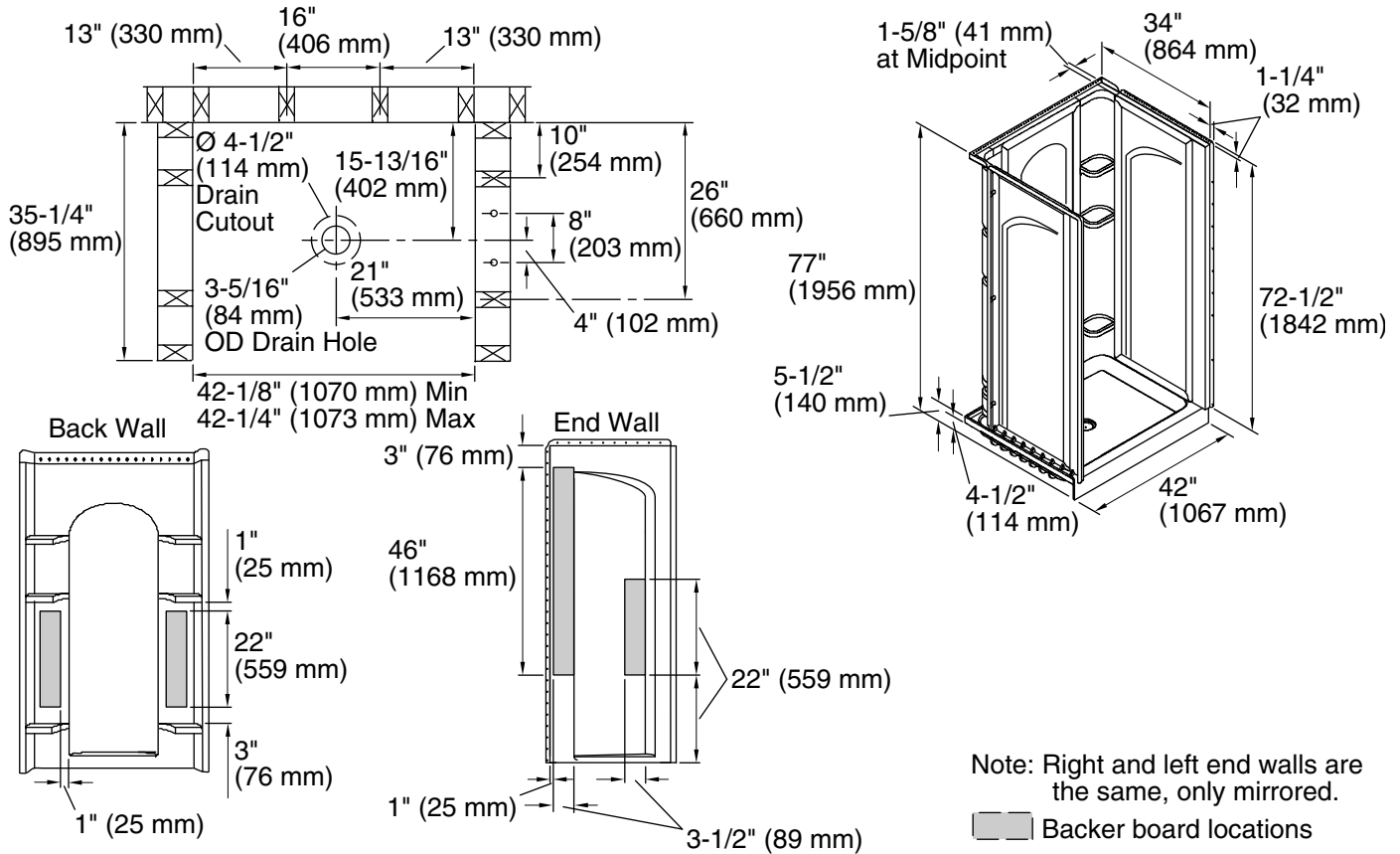
STERLING

A KOHLER COMPANY

Ensemble™

42" x 34" curve alcove shower stall w/ AIP backerboards

72210106



Technical Information

All product dimensions are nominal.

Installation:	Three-wall alcove
Drain location:	Center
Maximum door height:	70-1/2" (1791 mm)
Maximum door width:	38-5/8" (981 mm)

Notes

Install this product according to the installation instructions.

Attach grab bars at the specified backer board locations only.

Studs should be positioned roughly as shown.

Double studding is recommended for pivot shower door installations.

1-800-STERLING (1-800-783-7546)

Kohler Co. reserves the right to make revisions without notice to product specifications.

For the most current Specification Sheet, go to www.sterlingplumbing.com.