



Ensemble™

60" x 32" x 75-3/4" curve end drain shower stall
72180120



Features

- 3-1/2" threshold.
- Durable high-gloss finish.
- Three-piece, tongue-and-groove walls with snap-together installation.
- Convenient shelves, shaving ledge/footrest.

Material

- Made from solid Vikrell® material for strength, durability, and lasting beauty.

Installation

- Alcove.
- Right drain.
- Some caulk required for proper installation.

Recommended Products/Accessories

- K-23726 Drain treatment
- K-23733 Vikrell® cleaner

Included Components

- Product consists of:
- 72232100 60" x 72-1/2" curve shower back wall
 - 72181120 60" x 32" right-hand shower base
 - 72185100 32" x 71-1/4" shower end wall set



Codes/Standards



- CSA B45.5/IAPMO Z124
- ASTM E162
- ASTM E662
- HUD, UM Bulletin 73

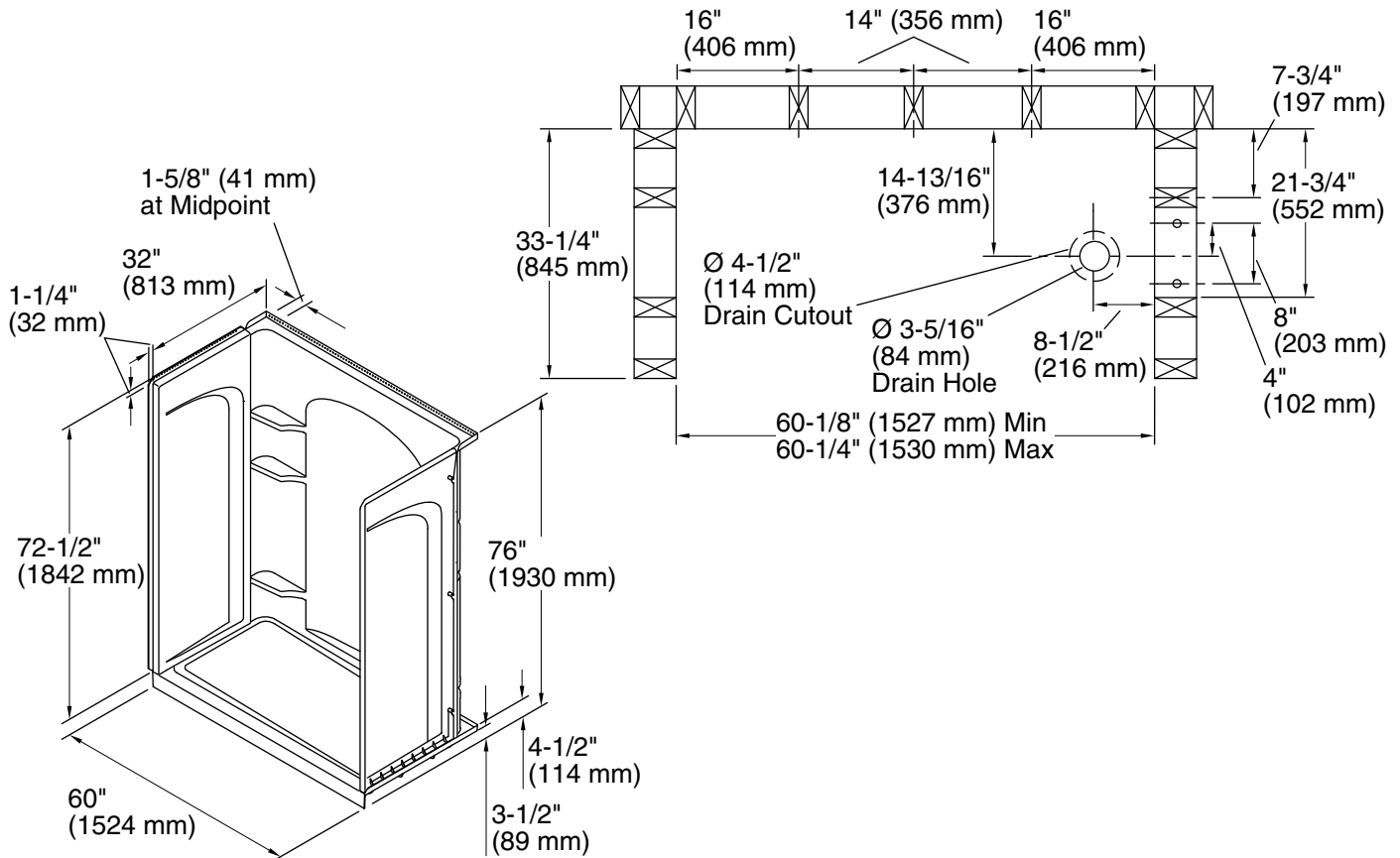
Warranty – Bathing Fixtures (and Kitchen and Utility Sinks Made of Solid Vikrell® Material)

See website for detailed warranty information.

Available Colors/Finishes

Color tiles intended for reference only.

Color	Code	Description
	0	White
	96	KOHLER Biscuit



Technical Information

All product dimensions are nominal.

- Installation: Three-wall alcove
- Drain location: Right
- Drain hole diameter: 3-5/16" (84 mm)
- Weight: 125.4 lbs (56.9 kg)
- Minimum flat for door: 3" (76 mm)
- Threshold height: 3-1/2" (89 mm)
- Maximum door height: 70-1/2" (1791 mm)
- Maximum door width: 56-5/8" (1438 mm)

Notes

- Install this product according to the installation instructions.
- Studs should be positioned roughly as shown.
- Double studding is recommended for pivot shower door installations.