



Ensemble™

60" x 32" Curve End Drain Shower

72180120



Features

- Alcove installation
- 3-1/2" threshold
- Solid Vikrell material
- Durable high-gloss finish
- Right drain
- Three-piece, tongue-and-groove walls with snap-together installation
- Some caulk required
- Convenient shelves, shaving ledge/footrest

Included Components

Product consists of:

- 72232100 60" Shower Back Wall
- 72181120 60" x 32" End Drain Shower Base
- 72185100 32" Shower End Wall Set



Codes/Standards



- CSA B45.5/IAPMO Z124
- ASTM E162
- ASTM E662
- Greenguard UL 2818 - Gold
- HUD, UM Bulletin 73

Warranty – Bathing Fixtures (and) Kitchen and Utility Sinks Made of Solid Vikrell® Material

See website for detailed warranty information.

Available Colors/Finishes

Color tiles intended for reference only.

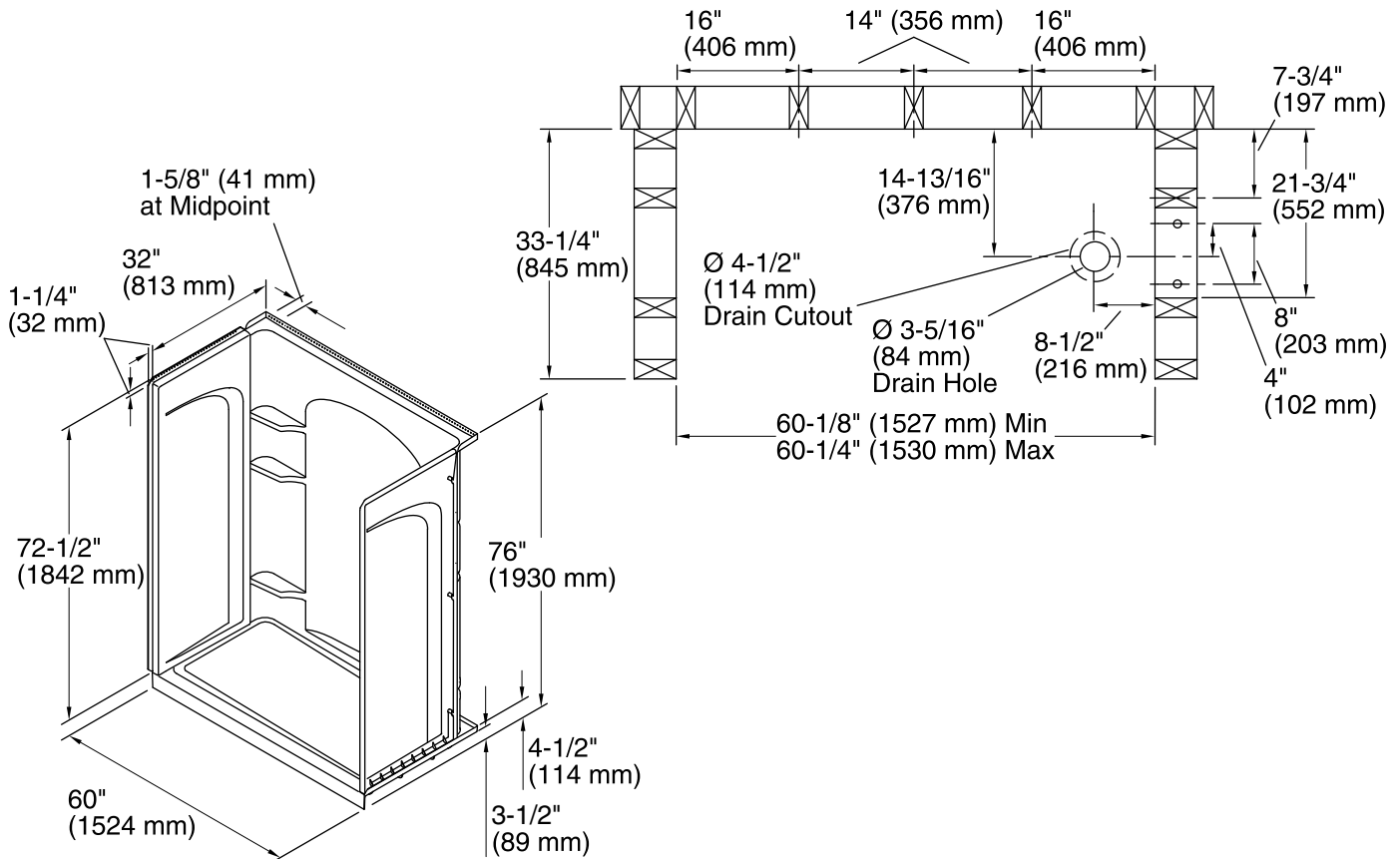
Color	Code	Description
	0	White
	96	KOHLER Biscuit

1-800-STERLING (1-800-783-7546)

Kohler Co. reserves the right to make revisions without notice to product specifications.

For the most current Specification Sheet, go to www.sterlingplumbing.com.

4-26-2019 00:42 - US



Technical Information

All product dimensions are nominal.

- Installation: Three-wall alcove
- Drain location: Right
- Drain hole diameter: 3-5/16" (84 mm)
- Weight: 125.4 lbs (56.9 kg)
- Minimum flat for door: 3" (76 mm)
- Threshold height: 3-1/2" (89 mm)
- Maximum door height: 70-1/2" (1791 mm)
- Maximum door width: 56-5/8" (1438 mm)

Notes

- Install this product according to the installation instructions.
- Studs should be positioned roughly as shown.
- Double studding is recommended for pivot shower door installations.