



# Ensemble™ Curve

60" x 32" Vikrell® shower with Aging in Place backerboards, left drain  
**72180116**



## Features

- 3-1/2" threshold
- Durable high-gloss finish
- Three-piece tongue-and-groove walls with snap-together installation
- Convenient shelves, shaving ledge/footrest
- Aging in Place backerboards
- Modular design allows it to be moved around corners and through doorways with ease
- Curved wall design for a smooth look and feel
- Wall surround includes Aging in Place backerboards for future grab bar installation
- Innovative Dry-Block™ seal and channeled water containment system form watertight seams

## Material

- Made from solid Vikrell® material for strength, durability, and lasting beauty

## Installation

- Alcove
- Left drain
- Some caulk required for proper installation
- Caulk-free installation

## Recommended Products/Accessories

- K-23726 Drain treatment
- K-23733 Vikrell® cleaner

## Included Components

- 72181110 60" x 32" Vikrell® shower base, left drain
- 72185106 32" Vikrell® shower end wall set with Aging in Place backerboards
- 72372106 60" Vikrell® shower back wall with Aging in Place backerboards



## Codes/Standards

- CSA B45.5/IAPMO Z124
- ASTM E162
- ASTM E662
- HUD, UM Bulletin 73
- IAPMO Certification


## STERLING® Vikrell® or Acrylic Baths and Shower Bases Ten-Year Limited Warranty

See website for detailed warranty information.

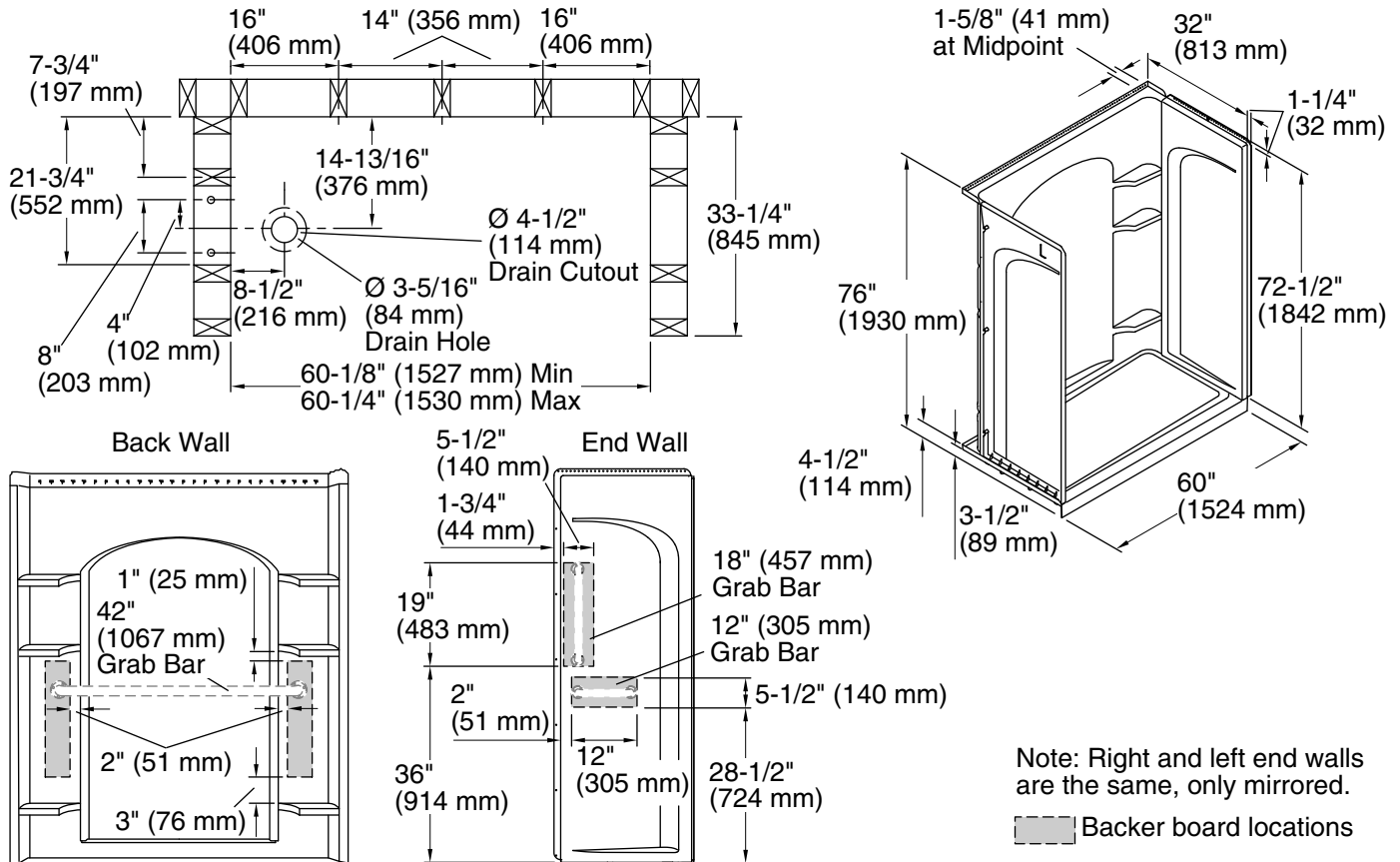
## Available Colors/Finishes

*Color tiles intended for reference only.*

| Color | Code | Description |
|-------|------|-------------|
|-------|------|-------------|

|   |   |       |
|---|---|-------|
|  | 0 | White |
|---|---|-------|

**Ensemble™ Curve**  
60" x 32" Vikrell® shower with Aging in Place  
backerboards, left drain  
**72180116**



**Technical Information**

All product dimensions are nominal.

|                        |                     |
|------------------------|---------------------|
| Drain location:        | Left                |
| Weight:                | 125.4 lbs (56.9 kg) |
| Minimum flat for door: | 3" (76 mm)          |
| Maximum door height:   | 70-1/2" (1791 mm)   |
| Maximum door width:    | 56-5/8" (1438 mm)   |

**Notes**

Install this product according to the installation instructions.

Studs should be positioned as shown.

Double studding is recommended for pivot shower door installations.