



# Ensemble™

60" x 32" x 75-3/4" curve end drain shower stall  
72180110



### Features

- 3-1/2" threshold.
- Three-piece, tongue-and-groove walls with snap-together installation.
- Convenient shelves, shaving ledge/footrest.

### Material

- Made from solid Vikrell® material for strength, durability, and lasting beauty.

### Installation

- Alcove.
- Left drain.
- Some caulk required for proper installation.

### Recommended Products/Accessories

- K-23726 Drain treatment
- K-23733 Vikrell® cleaner

### Included Components

Product consists of:

- 72232100 60" x 72-1/2" curve shower back wall
- 72181110 60" x 32" shower base
- 72185100 32" x 71-1/4" shower end wall set



### Codes/Standards



- CSA B45.5/IAPMO Z124
- ASTM E162
- ASTM E662
- HUD, UM Bulletin 73

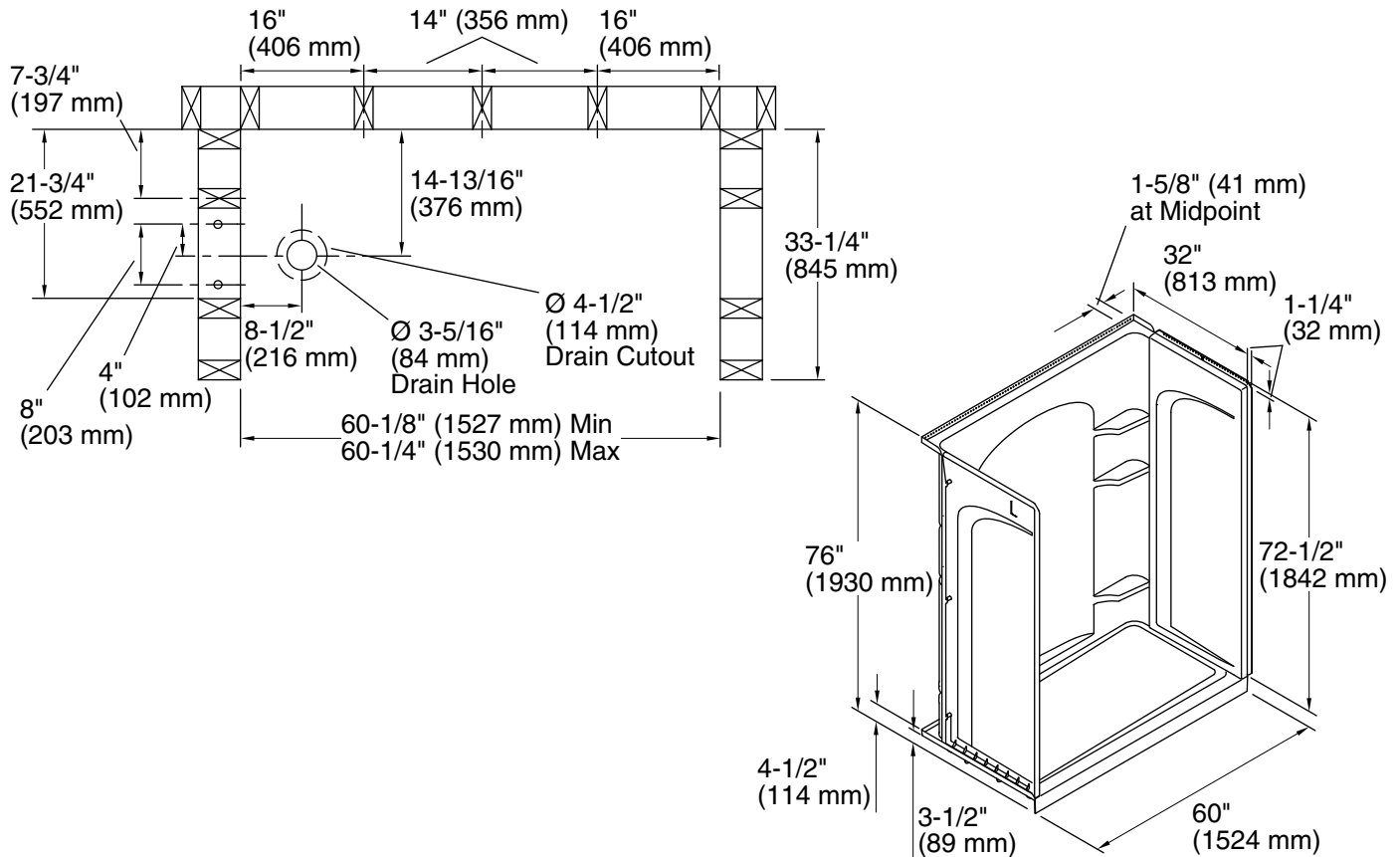
### Warranty – Bathing Fixtures (and Kitchen and Utility Sinks Made of Solid Vikrell® Material)

See website for detailed warranty information.

### Available Colors/Finishes

*Color tiles intended for reference only.*

Color	Code	Description
	0	White
	96	KOHLER Biscuit



#### Technical Information

All product dimensions are nominal.

Installation:	Three-wall alcove
Drain location:	Left
Drain hole diameter:	3-5/16" (84 mm)
Weight:	125.4 lbs (56.9 kg)
Minimum flat for door:	3" (76 mm)
Threshold height:	3-1/2" (89 mm)
Maximum door height:	70-1/2" (1791 mm)
Maximum door width:	56-5/8" (1438 mm)

#### Notes

Install this product according to the installation instructions.

Studs should be positioned roughly as shown.

Double studding is recommended for pivot shower door installations.