



# Ensemble™

60" x 30 shower base  
72171110



## Features

- 4" threshold.
- Durable high-gloss finish with molded-in textured floor.
- Suitable for tile-down application.
- Compatible with Ensemble walls (series 7217)

## Material

- Made from solid Vikrell® material for strength, durability, and lasting beauty.

## Installation

- Left drain.

## Recommended Products/Accessories

- K-23726 Drain treatment
- K-23733 Vikrell® cleaner



## Codes/Standards



CSA B45.5/IAPMO Z124  
ASTM E162  
HUD, UM Bulletin 73

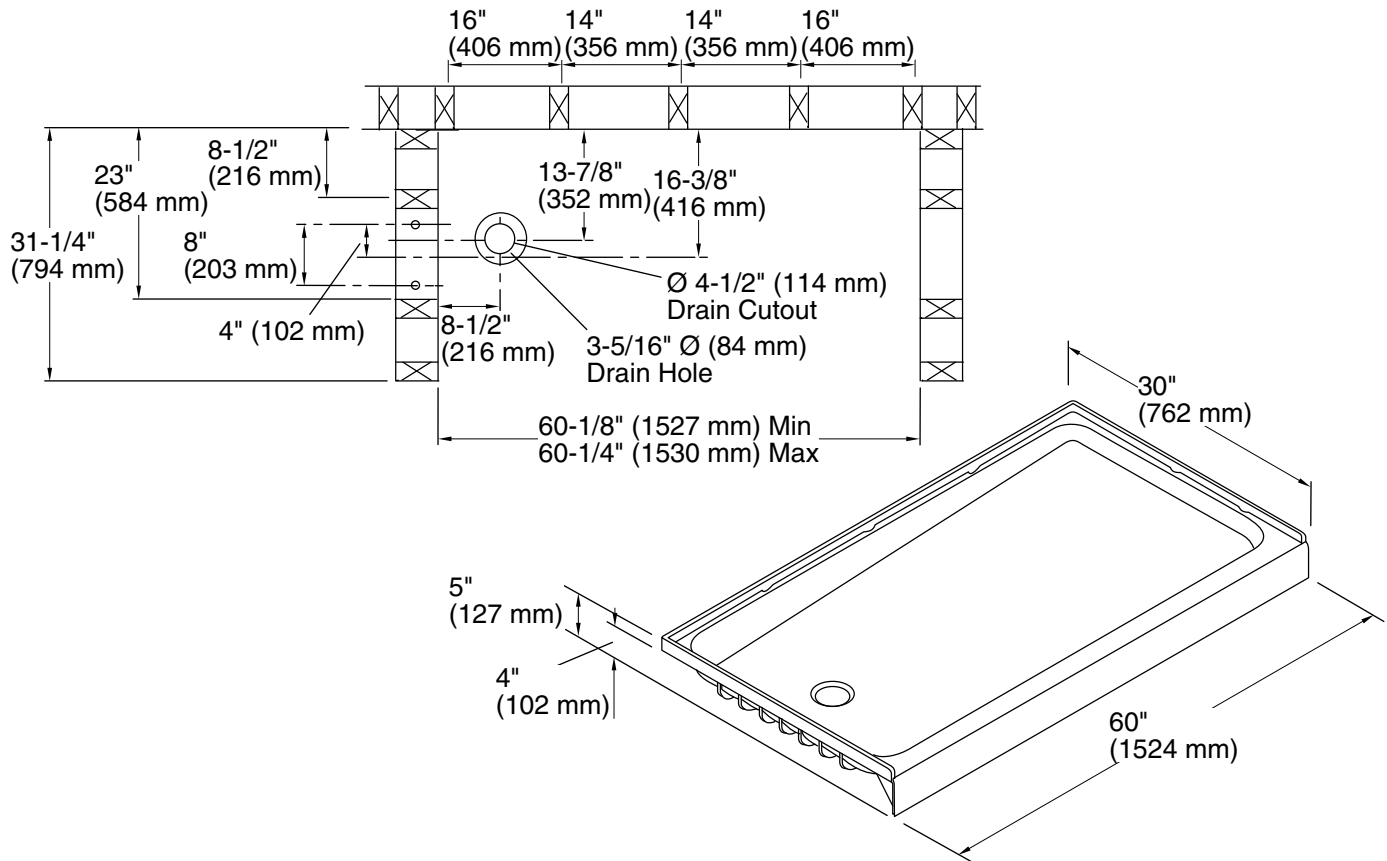
## Warranty – Bathing Fixtures (and) Kitchen and Utility Sinks Made of Solid Vikrell® Material

See website for detailed warranty information.

## Available Colors/Finishes

*Color tiles intended for reference only.*

Color	Code	Description
	0	White
	96	KOHLER Biscuit



**Technical Information**

All product dimensions are nominal.

Installation: Three-wall alcove

Drain location: Left

Weight: 38 lbs (17.2 kg)

**Notes**

Install this product according to the installation instructions.

Studs should be positioned roughly as shown.

Double studding is recommended for pivot shower door installations.