

Ensemble™
60" x 30" Shower Receptor
72171110



Features

- 4" threshold
- Solid Vikrell material
- Durable high-gloss finish with molded-in textured floor
- Left drain
- Suitable for tile-down application
- Compatible with Ensemble walls (series 7217)



Codes/Standards



CSA B45.5/IAPMO Z124
ASTM E162
Greenguard UL 2818 - Gold
HUD, UM Bulletin 73

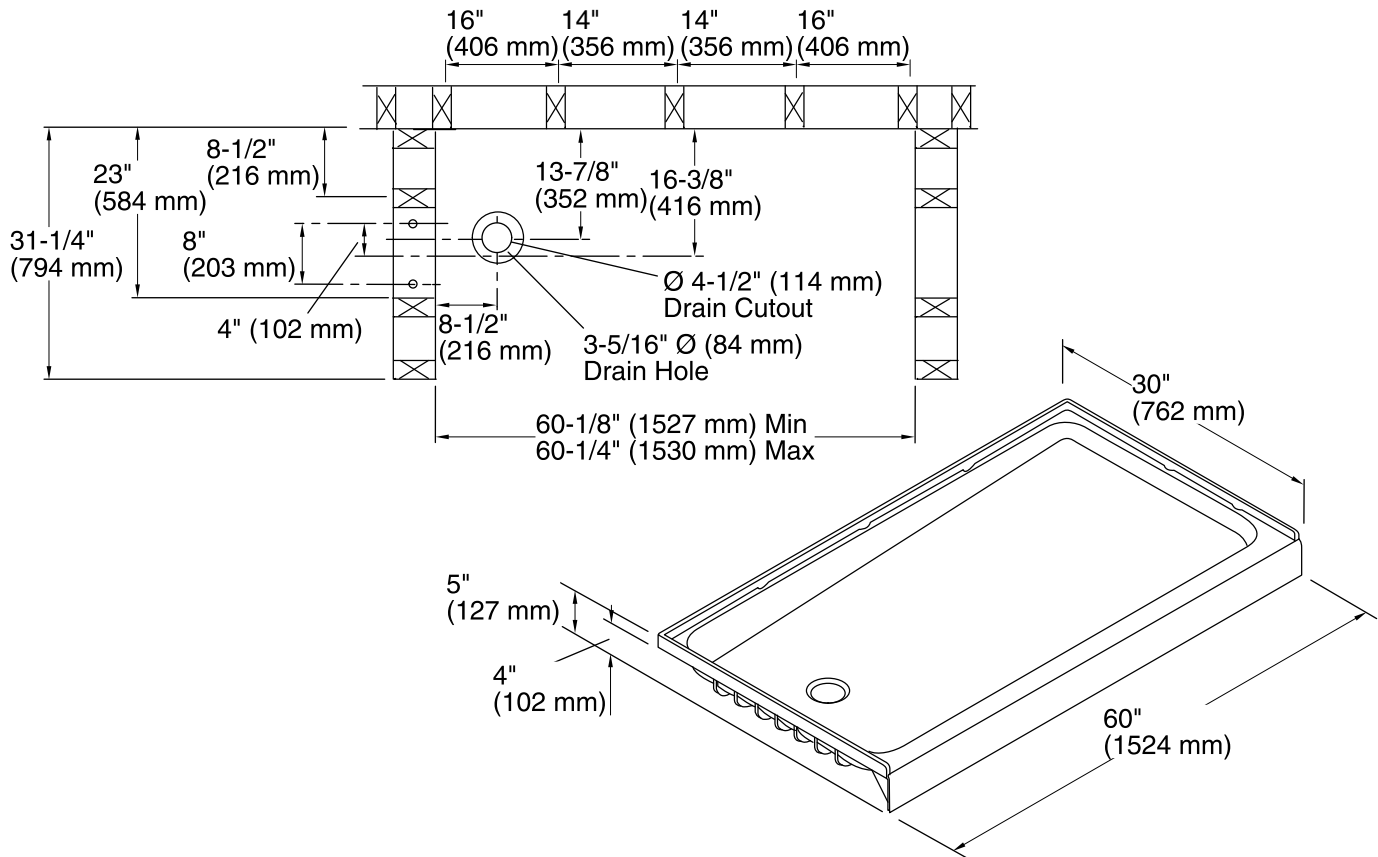
**Warranty – Bathing Fixtures (and)
Kitchen and Utility Sinks Made of Solid
Vikrell® Material**

See website for detailed warranty information.

Available Colors/Finishes

Color tiles intended for reference only.

Color	Code	Description
	0	White
	96	KOHLER Biscuit



Technical Information

All product dimensions are nominal.

Installation: Three-wall alcove

Drain location: Left

Weight: 38 lbs (17.2 kg)

Notes

Install this product according to the installation instructions.

Studs should be positioned roughly as shown.

Double studding is recommended for pivot shower door installations.