



Features

- 4" threshold.
- Durable high-gloss finish.
- Three-piece, tongue-and-groove walls with snap-together installation.
- Convenient shelves, shaving ledge/footrest.
- Aging In Place backerboards.

Material

- Made from solid Vikrell® material for strength, durability, and lasting beauty.

Installation

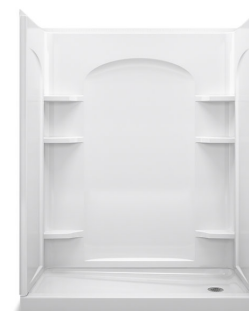
- Alcove.
- Right drain.
- Some caulk required for proper installation.

Recommended Products/Accessories

- K-23726 Drain treatment
- K-23733 Vikrell® cleaner

Included Components

- Product consists of:
- 72232106 60" curve shower back wall w/Aging in Place backerboard
 - 72171120 60" x 30" shower base with right-hand drain
 - 72175106 30" x 71-1/4" shower end walls w/Aging in Place backerboards



Codes/Standards



- CSA B45.5/IAPMO Z124
- ASTM E162
- ASTM E662
- HUD, UM Bulletin 73
- EPA TSCA Title VI

Warranty – Bathing Fixtures (and Kitchen and Utility Sinks Made of Solid Vikrell® Material)

See website for detailed warranty information.

Available Colors/Finishes

Color tiles intended for reference only.

Color	Code	Description
	0	White
	96	KOHLER Biscuit

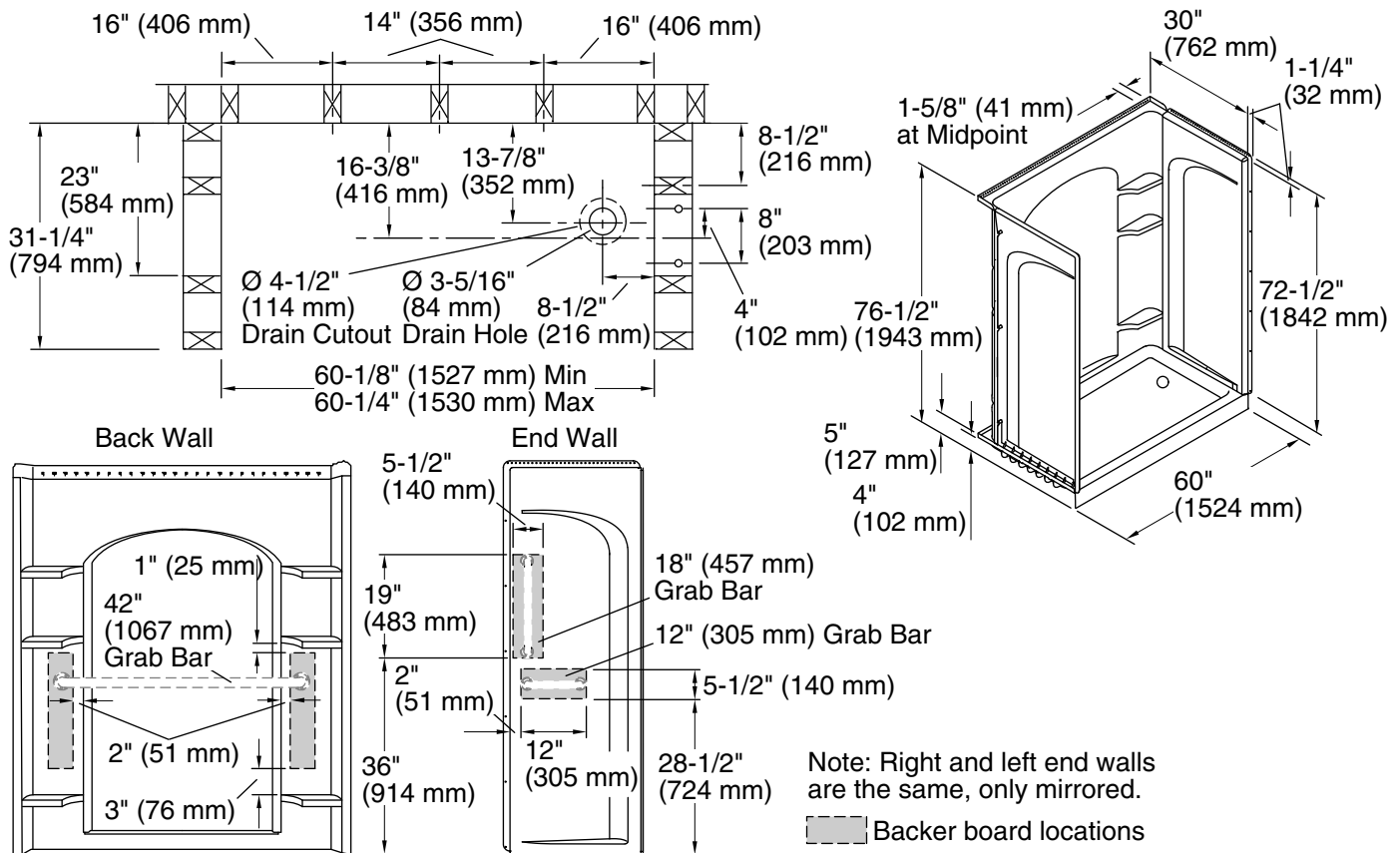
STERLING

A KOHLER COMPANY

Ensemble™

60" curve end drain shower w/Aging in Place backerboard

72170126



Technical Information

All product dimensions are nominal.

Installation: Three-wall alcove

Drain location: Right

Minimum flat for door: 3" (76 mm)

Threshold height: 4" (102 mm)

Maximum door height: 70-1/2" (1791 mm)

Maximum door width: 56-5/8" (1438 mm)

Notes

Install this product according to the installation instructions.

Attach grab bars at the specified backerboard locations only.

Size the drain cutout to fit the drain assembly that will be used.

1-800-STERLING (1-800-783-7546)

Kohler Co. reserves the right to make revisions without notice to product specifications.

For the most current Specification Sheet, go to www.sterlingplumbing.com.

8-22-2020 13:41 - US