



# Ensemble™

## 60" curve end drain shower

### 72170120



#### Features

- 4" threshold.
- Durable high-gloss finish.
- Three-piece, tongue-and-groove walls with snap-together installation.
- Convenient shelves, shaving ledge/footrest.

#### Material

- Made from solid Vikrell® material for strength, durability, and lasting beauty.

#### Installation

- Alcove.
- Right drain.
- Some caulk required for proper installation.

#### Recommended Products/Accessories

- K-23726 Drain treatment
- K-23733 Vikrell® cleaner

#### Included Components

Product consists of:

- 72171120 60" x 30 shower base
- 72232100 60" x 72-1/2" curve shower back wall
- 72175100 30" x 71-1/4" curve shower end wall set



#### Codes/Standards



- CSA B45.5/IAPMO Z124
- ASTM E162
- ASTM E662
- HUD, UM Bulletin 73

#### Warranty – Bathing Fixtures (and Kitchen and Utility Sinks Made of Solid Vikrell® Material)

See website for detailed warranty information.

#### Available Colors/Finishes

*Color tiles intended for reference only.*

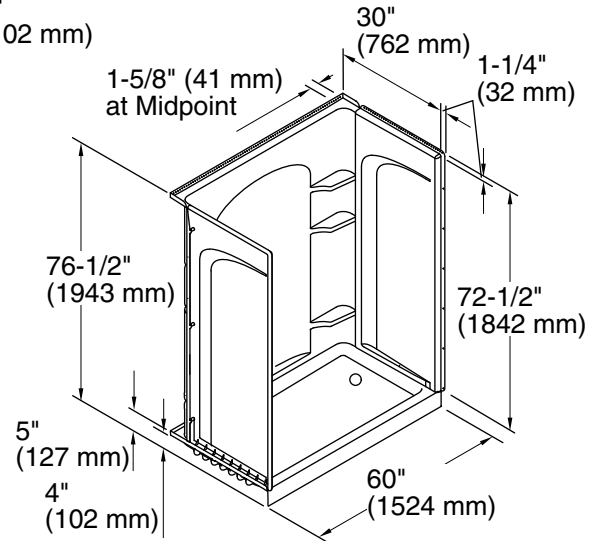
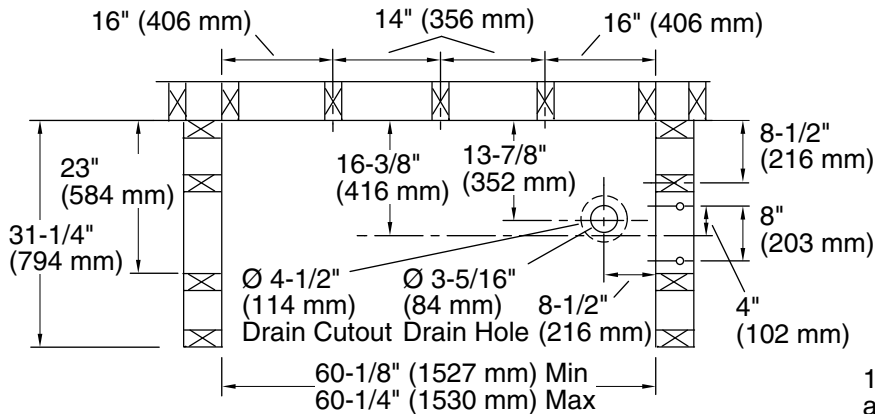
Color	Code	Description
	0	White
	96	KOHLER Biscuit

1-800-STERLING (1-800-783-7546)

Kohler Co. reserves the right to make revisions without notice to product specifications.

For the most current Specification Sheet, go to [www.sterlingplumbing.com](http://www.sterlingplumbing.com).

5-6-2020 10:35 - US



### Technical Information

All product dimensions are nominal.

Installation: Three-wall alcove

Drain location: Right

Minimum flat for door: 3" (76 mm)

Threshold height: 4" (102 mm)

Maximum door height: 70-1/2" (1791 mm)

Maximum door width: 56-5/8" (1438 mm)

### Notes

Install this product according to the installation instructions.

Receptor cannot be installed without the wall surround.

Studs should be positioned roughly as shown.

Double studding is recommended for pivot shower door installations.