



A KOHLER COMPANY

# Ensemble™

60" tile alcove shower  
72130100



### Features

- 4-1/2" threshold.
- Durable high-gloss finish.
- Center drain.
- Three-piece, tongue-and-groove walls with snap-together installation; realistic tile look.
- Convenient shelves, shaving ledge/footrest.

### Material

- Made from solid Vikrell® material for strength, durability, and lasting beauty.

### Installation

- Alcove.
- Some caulk required for proper installation.

### Recommended Products/Accessories

- K-23726 Drain treatment
- K-23733 Vikrell® cleaner

### Included Components

- Product consists of:
- 72105100 34" shower end wall set
  - 72131100 60" Shower Base
  - 72132100 60" back wall for tile alcove shower



### Codes/Standards



- CSA B45.5/IAPMO Z124
- ASTM E162
- ASTM E662
- HUD, UM Bulletin 73

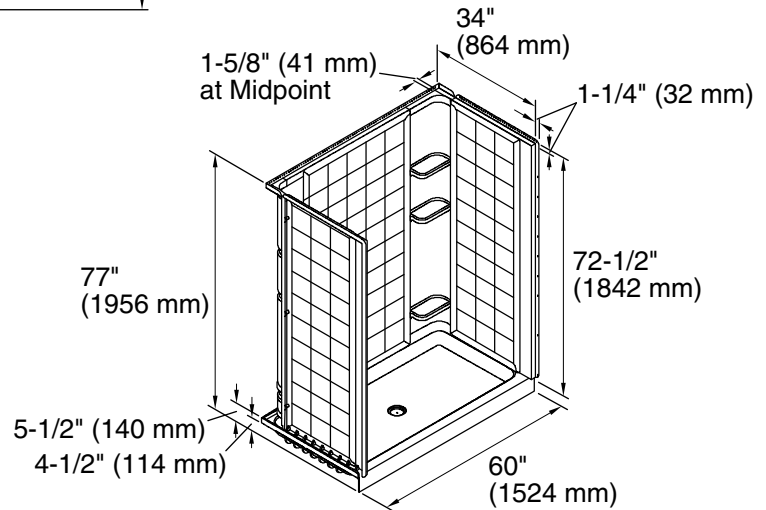
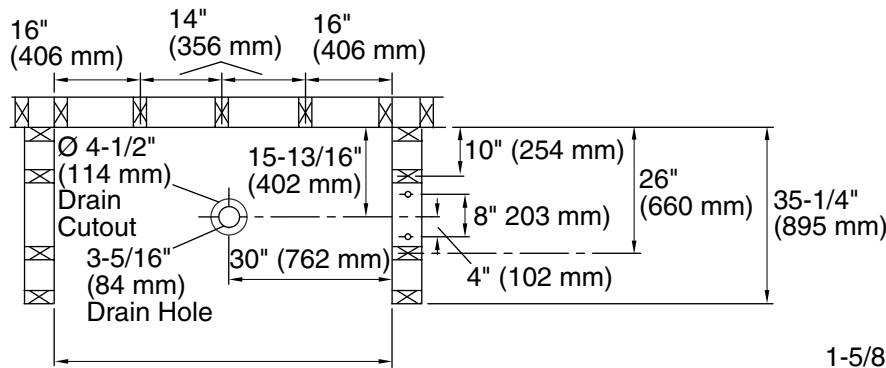
### Warranty – Bathing Fixtures (and Kitchen and Utility Sinks Made of Solid Vikrell® Material)

See website for detailed warranty information.

### Available Colors/Finishes

*Color tiles intended for reference only.*

Color	Code	Description
	0	White
	96	KOHLER Biscuit



### Technical Information

All product dimensions are nominal.

Installation: Three-wall alcove

Drain location: Center

Minimum flat for door: 3" (76 mm)

Threshold height: 4-1/2" (114 mm)

Maximum door height: 70-1/2" (1791 mm)

Maximum door width: 56-5/8" (1438 mm)

### Notes

Install this product according to the installation instructions.

Studs should be positioned roughly as shown.

Double studding is recommended for pivot shower door installations.