



Ensemble™

36" x 34" x 75-3/4" tile alcove shower stall
72100100



Features

- 4-1/2" threshold.
- Durable high-gloss finish.
- Center drain.
- Three-piece, tongue-and-groove walls with snap-together installation.
- Convenient shelves, shaving ledge/footrest.

Material

- Made from solid Vikrell® material for strength, durability, and lasting beauty.

Installation

- Alcove.
- Some caulk required for proper installation.

Recommended Products/Accessories

1500D-36 Framed pivot shower door
1505D-36 Framed pivot shower door
1507D-36 Framed pivot shower door
1530D-36 Framed pivot shower door
1535D-36 Framed pivot shower door
6505-33 Framed pivot shower door
6506-33 Framed pivot shower door
K-23726 Drain treatment
K-23733 Vikrell® cleaner

Included Components

Product consists of:

72105100 34" shower end wall set
72101100 36" shower base
72102100 36" x 72-1/2" tile alcove shower back wall



Codes/Standards



CSA B45.5/IAPMO Z124
ASTM E162
ASTM E662
HUD, UM Bulletin 73

Warranty – Bathing Fixtures (and Kitchen and Utility Sinks Made of Solid Vikrell® Material)

See website for detailed warranty information.

Available Colors/Finishes

Color tiles intended for reference only.

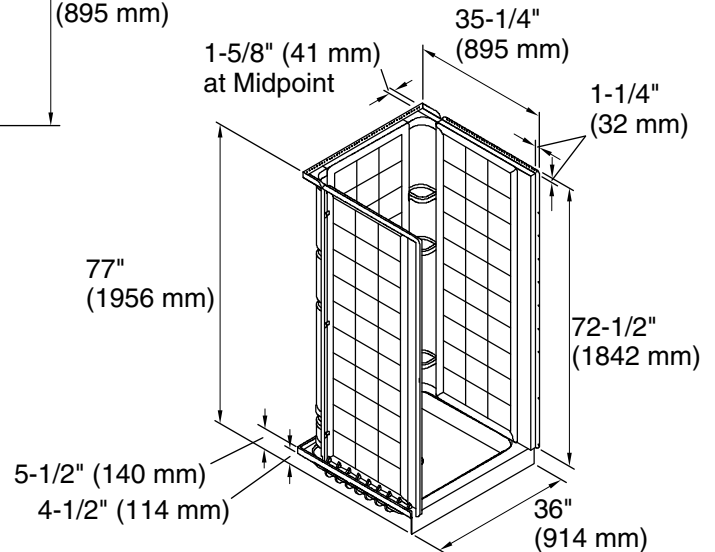
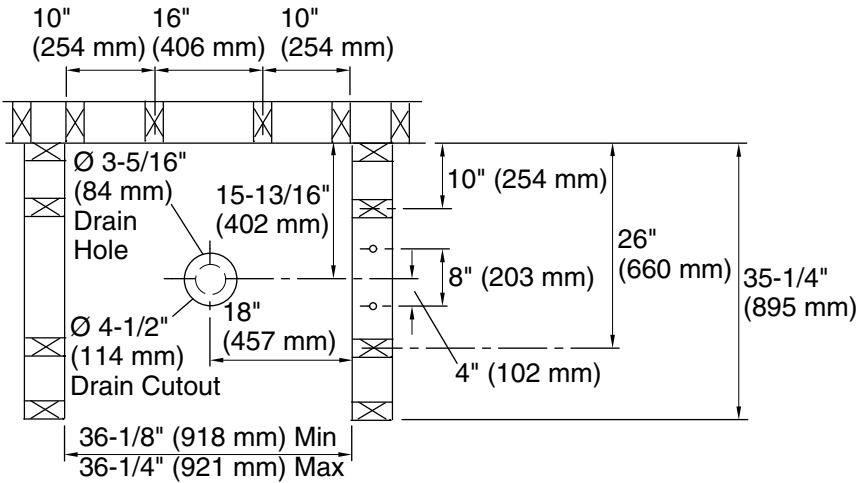
Color	Code	Description
	0	White
	96	KOHLER Biscuit

1-800-STERLING (1-800-783-7546)

Kohler Co. reserves the right to make revisions without notice to product specifications.

For the most current Specification Sheet, go to www.sterlingplumbing.com.

8-22-2020 13:36 - US



Technical Information

All product dimensions are nominal.

Installation: Three-wall alcove

Drain location: Center

Minimum flat for door: 3" (76 mm)

Threshold height: 4-1/2" (114 mm)

Maximum door height: 70-1/2" (1791 mm)

Maximum door width: 32-5/8" (829 mm)

Notes

Install this product according to the installation instructions.

Studs should be positioned roughly as shown.

Double studding is recommended for pivot shower door installations.