



Traverse®

60" x 30" Vikrell® bath/shower with seat, grab bars, right drain
71570125



Features

- Tongue-and-groove modular design allows for easy installation during any phase of construction
- Modern subway tile design
- Full-length shelf provides generous storage
- Easy-to-clean, durable high-gloss finish
- Stainless steel grab bars and bath seat
- Innovative Dry-Block™ seal and channeled water containment system form watertight seams

Material

- Compression molded from our exclusive solid Vikrell® material

Installation

- Pro4™ installation system features a two-piece back wall design, enabling one-person handling and installation
- Alcove
- Caulk-free installation
- Right drain

Recommended Products/Accessories

- K-23726 Drain treatment
- K-23723 Faucet cleaner
- K-23733 Vikrell® cleaner

Included Components

- 71171120 60" x 30" Vikrell® bath, right drain
- 71574106 60" x 30" Vikrell® bath/shower wall set with Aging in Place backerboards
- 71577103 5-Piece ADA-adaptable grab bar kit
- 71177104 30" bath seat



ADA


Codes/Standards

- CSA B45.5/IAPMO Z124
- ASTM E162
- ASTM E662
- ADA
- ICC/ANSI A117.1
- HUD, UM Bulletin 73
- IAPMO Certification

STERLING® Vikrell® or Acrylic Baths and Shower Bases Ten-Year Limited Warranty
STERLING® Grab Bars Ten-Year Limited Warranty
STERLING® Non-Vikrell® Bathing & Showering Seats Ten-Year Limited Warranty
 See website for detailed warranty information.

Available Colors/Finishes

Color tiles intended for reference only.

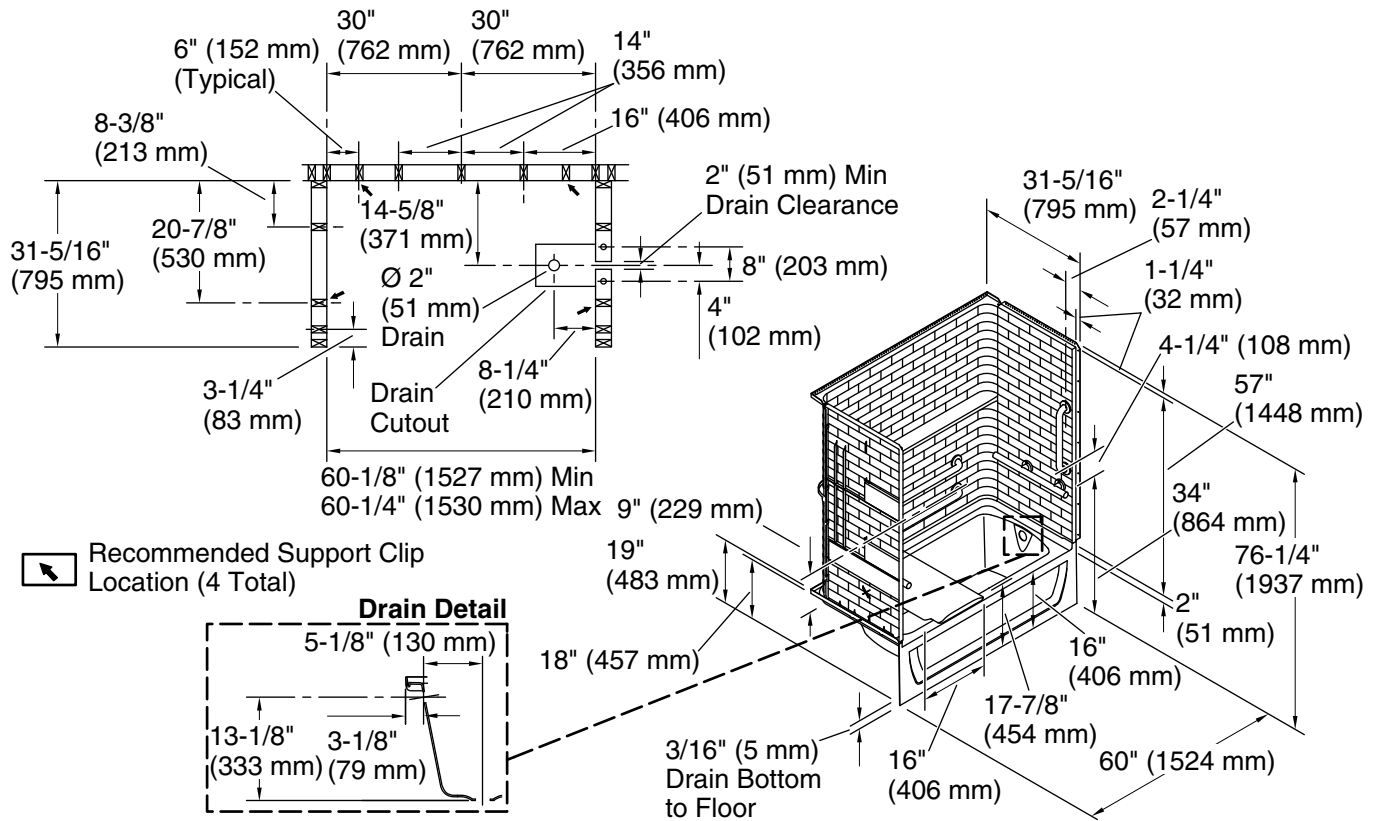
Color	Code	Description
	0	White

1-800-STERLING (1-800-783-7546)

Kohler Co. reserves the right to make revisions without notice to product specifications.

For the most current Specification Sheet, go to www.sterlingplumbing.com.

3-22-2024 22:16 - US



Technical Information

All product dimensions are nominal.

Drain location: Right

Notes

Install this product according to the installation instructions.

Studs should be positioned roughly as shown.

ADA compliant when installed to the specific requirements of these regulations.