



**Traverse®**

60" x 30" AFD bath/shower LH drain, AIP backers  
**71570118**



**Features**

- Tongue-and-groove modular design allows for easy installation during any phase of construction
- Modern subway tile design
- Full-length shelf provides generous storage
- Easy-to-clean, durable high-gloss finish

**Material**

- Compression molded from our exclusive solid Vikrell® material

**Installation**

- Pro4™ installation system features a two-piece back wall design, enabling one-person handling and installation
- Alcove
- Caulk-free installation
- Above-floor drain (AFD) rough-in
- Left drain



**Recommended Products/Accessories**

K-23726 Drain treatment

**Included Components**

Product consists of:  
71171112  
71574106

**Codes/Standards**


CSA B45.5/IAPMO Z124  
ASTM E162  
ASTM E662  
HUD, UM Bulletin 73

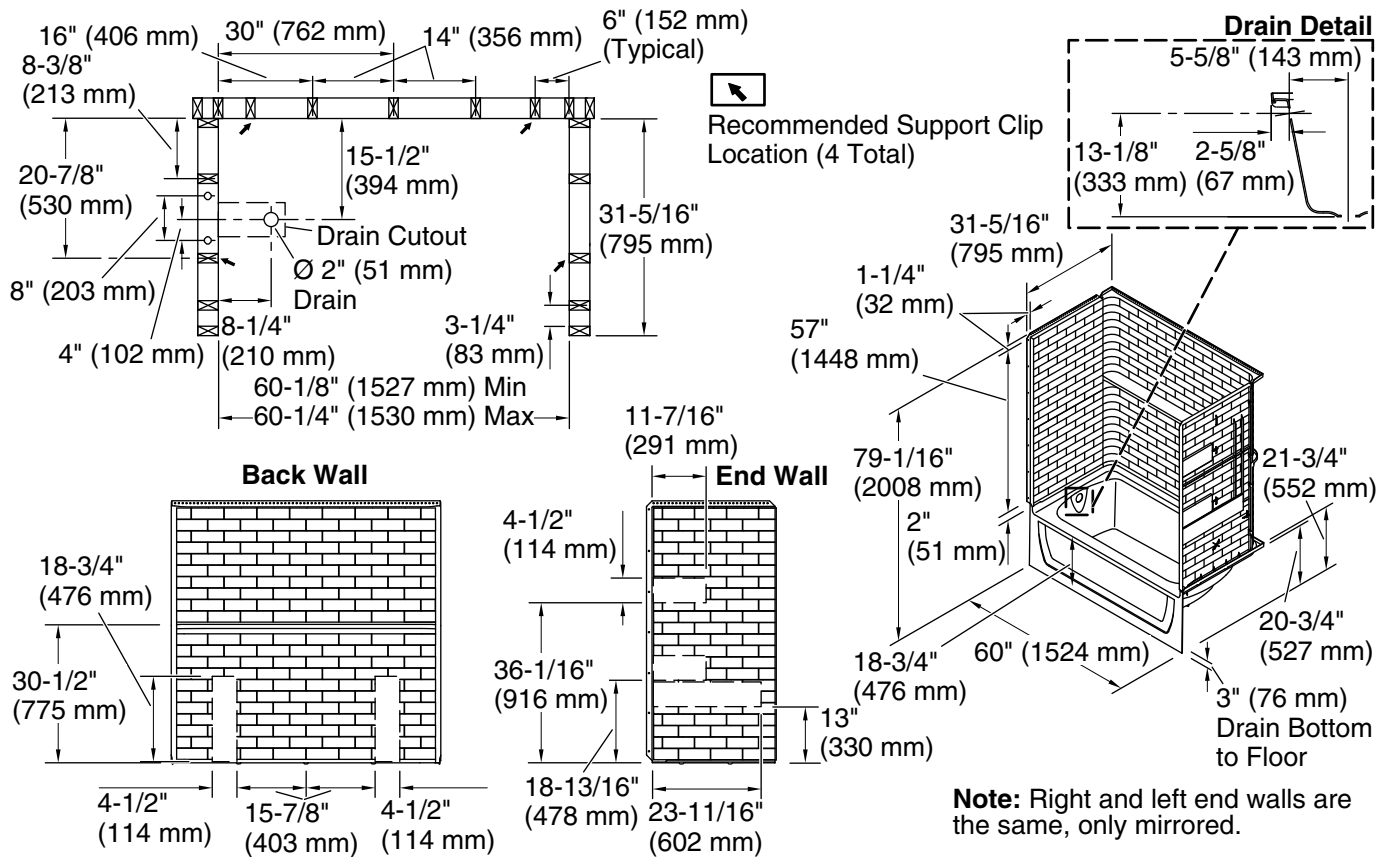
**STERLING® Vikrell® or Acrylic Baths and Shower Bases Ten-Year Limited Warranty**

See website for detailed warranty information.

**Available Colors/Finishes**

*Color tiles intended for reference only.*

Color	Code	Description
	0	White
	96	KOHLER Biscuit



**Technical Information**

All product dimensions are nominal.

Installation: Three-wall alcove  
 Maximum door height: 58-3/4" (1492 mm)  
 Maximum door width: 57-5/8" (1464 mm)

**Notes**

Install this product according to the installation instructions.  
 Studs should be positioned roughly as shown.