



Features

- Tongue-and-groove modular design allows for easy installation during any phase of construction
- Modern subway tile design
- Full-length shelf provides generous storage
- Easy-to-clean, durable high-gloss finish
- Innovative Dry-Block™ seal and channeled water containment system form watertight seams

Material

- Compression molded from our exclusive solid Vikrell® material

Installation

- Pro4™ installation system features a two-piece back wall design, enabling one-person handling and installation
- Alcove
- Caulk-free installation
- Above-floor-drain (AFD) rough-in
- Left drain

Recommended Products/Accessories

- K-23726 Drain treatment
- K-23733 Vikrell® cleaner

Included Components

- 71171112 60" x 30" Vikrell® bath, left above-floor drain
- 71574100 60" x 30" Vikrell® bath/shower wall set



Codes/Standards

- CSA B45.5/IAPMO Z124
- ASTM E162
- ASTM E662
- HUD, UM Bulletin 73
- IAPMO Certification


STERLING® Vikrell® or Acrylic Baths and Shower Bases Ten-Year Limited Warranty

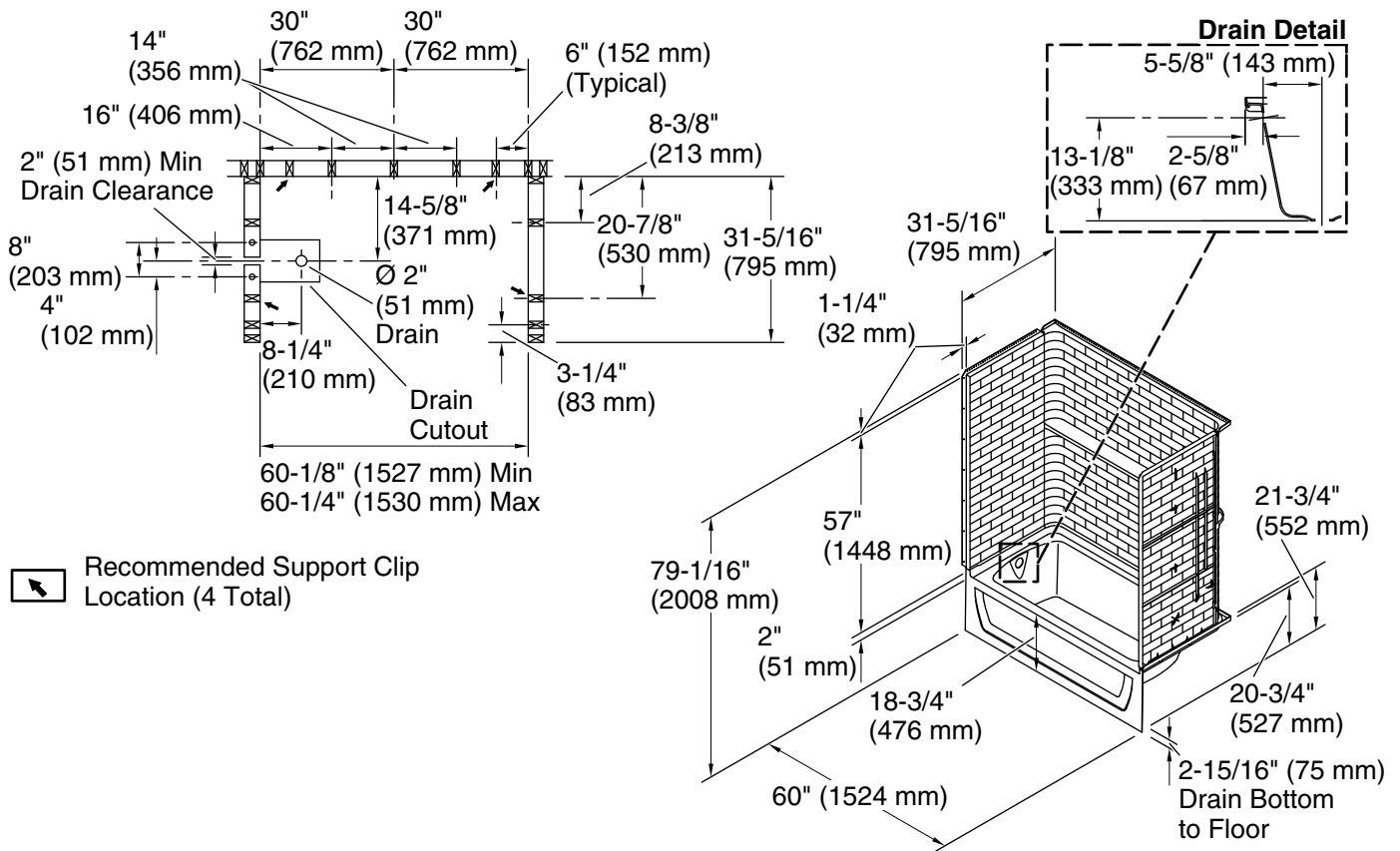
See website for detailed warranty information.

Available Colors/Finishes

Color tiles intended for reference only.

Color Code Description

	0	White
---	---	-------



Technical Information

All product dimensions are nominal.

Drain location: Left
 Maximum door height: 58-3/4" (1492 mm)
 Maximum door width: 57-5/8" (1464 mm)

Notes

Install this product according to the installation instructions.
 Studs should be positioned roughly as shown.