



# 60" x 32" Vikrell bath/shower, right above-floor-drain

## 71520122

### Traverse™



#### Features

- Tongue-and-groove modular design allows for easy installation during any phase of construction
- Modern subway tile design
- Full-length shelf provides generous storage
- Easy-to-clean, durable high-gloss finish
- Innovative Dry-Block™ seal and channeled water containment system form watertight seams

#### Material

- Compression molded from our exclusive solid Vikrell™ material

#### Installation

- Pro4™ installation system features a two-piece back wall design, enabling one-person handling and installation
- Alcove
- Caulk-free installation
- Above-floor drain (AFD) rough-in
- Right drain

#### Recommended Products/Accessories

- K-23726 Drain treatment
- K-23733 Vikrell® cleaner

#### Included Components

- 71121122 60" x 32" Vikrell bath, right above-floor drain
- 71524100 60" x 32" Vikrell bath/shower wall set



#### Codes/Standards

- CSA B45.5/IAPMO Z124
- ASTM E162
- ASTM E662
- HUD, UM Bulletin 73



#### STERLING® Vikrell™ or Acrylic Baths and Shower Bases Ten-Year Limited Warranty

See website for detailed warranty information.

#### Available Colors/Finishes

*Color tiles intended for reference only.*

##### Color Code Description

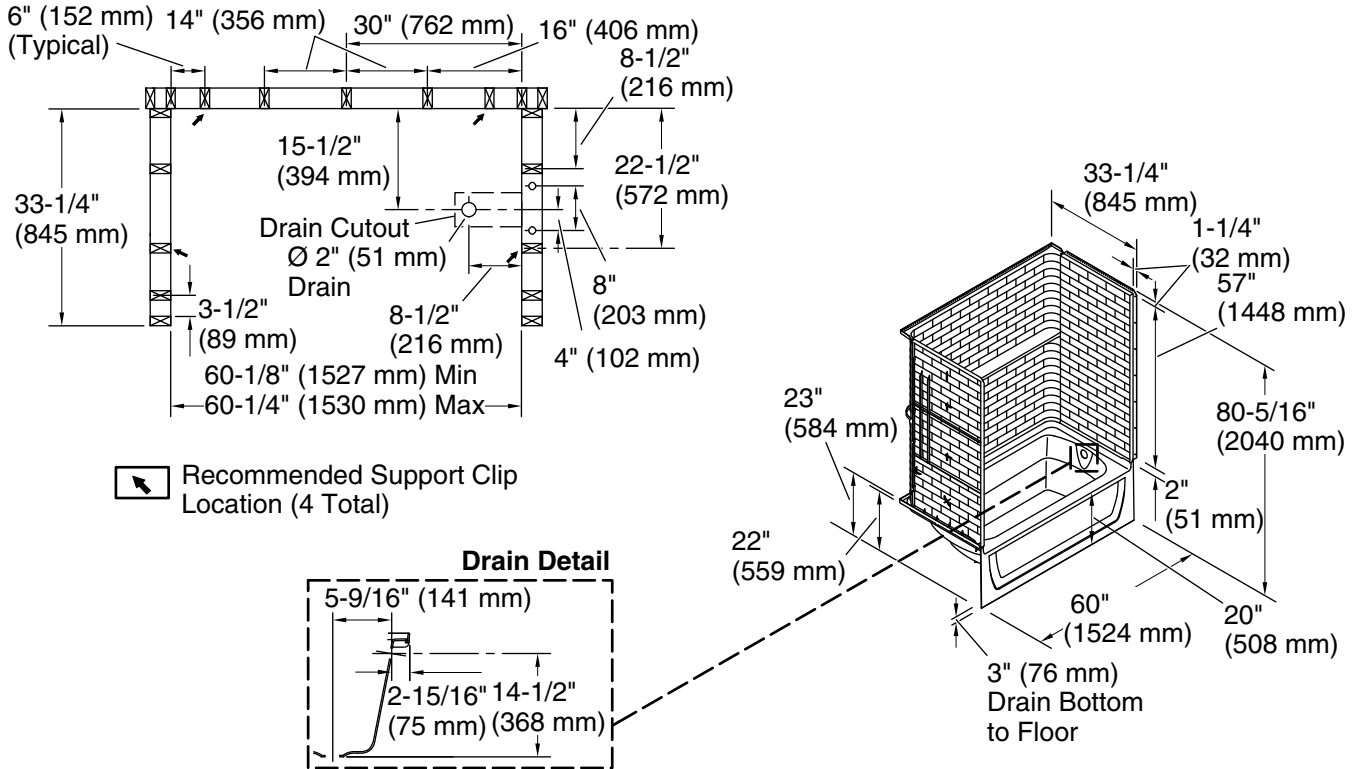
	0	White
	96	Biscuit

1-800-STERLING (1-800-783-7546)

Kohler Co. reserves the right to make revisions without notice to product specifications.

For the most current Specification Sheet, go to [www.sterlingplumbing.com](http://www.sterlingplumbing.com).

6-1-2023 00:18 - US/CA



**Technical Information**

All product dimensions are nominal.

Installation:	Three-wall alcove
Drain location:	Right
Weight:	169.3 lbs (76.8 kg)
Water depth:	13" (330 mm)
Maximum door height:	58-3/4" (1492 mm)
Maximum door width:	57-5/8" (1464 mm)

**Notes**

Install this product according to the installation instructions.

Studs should be positioned roughly as shown.

Double studding is recommended for pivot shower door installations.