



# Traverse® 60" x 32" Vikrell® bath/shower with Aging in Place backerboards, left drain 71520116



### Features

- Tongue-and-groove modular design allows for easy installation during any phase of construction
- Modern subway tile design
- Full-length shelf provides generous storage
- Easy-to-clean, durable high-gloss finish
- Innovative Dry-Block™ seal and channeled water containment system form watertight seams

### Material

- Compression molded from our exclusive solid Vikrell® material

### Installation

- Pro4™ installation system features a two-piece back wall design, enabling one-person handling and installation
- Alcove
- Caulk-free installation
- Left drain

### Recommended Products/Accessories

K-23726 Drain treatment

### Included Components

- 71121110 60" x 32" Vikrell® bath, left drain
- 71524106 60" x 32" Vikrell® bath/shower wall set with Aging in Place backerboards



### Codes/Standards

- CSA B45.5/IAPMO Z124
- ASTM E162
- ASTM E662
- HUD, UM Bulletin 73
- IAPMO Certification

### STERLING® Vikrell® or Acrylic Baths and Shower Bases Ten-Year Limited Warranty

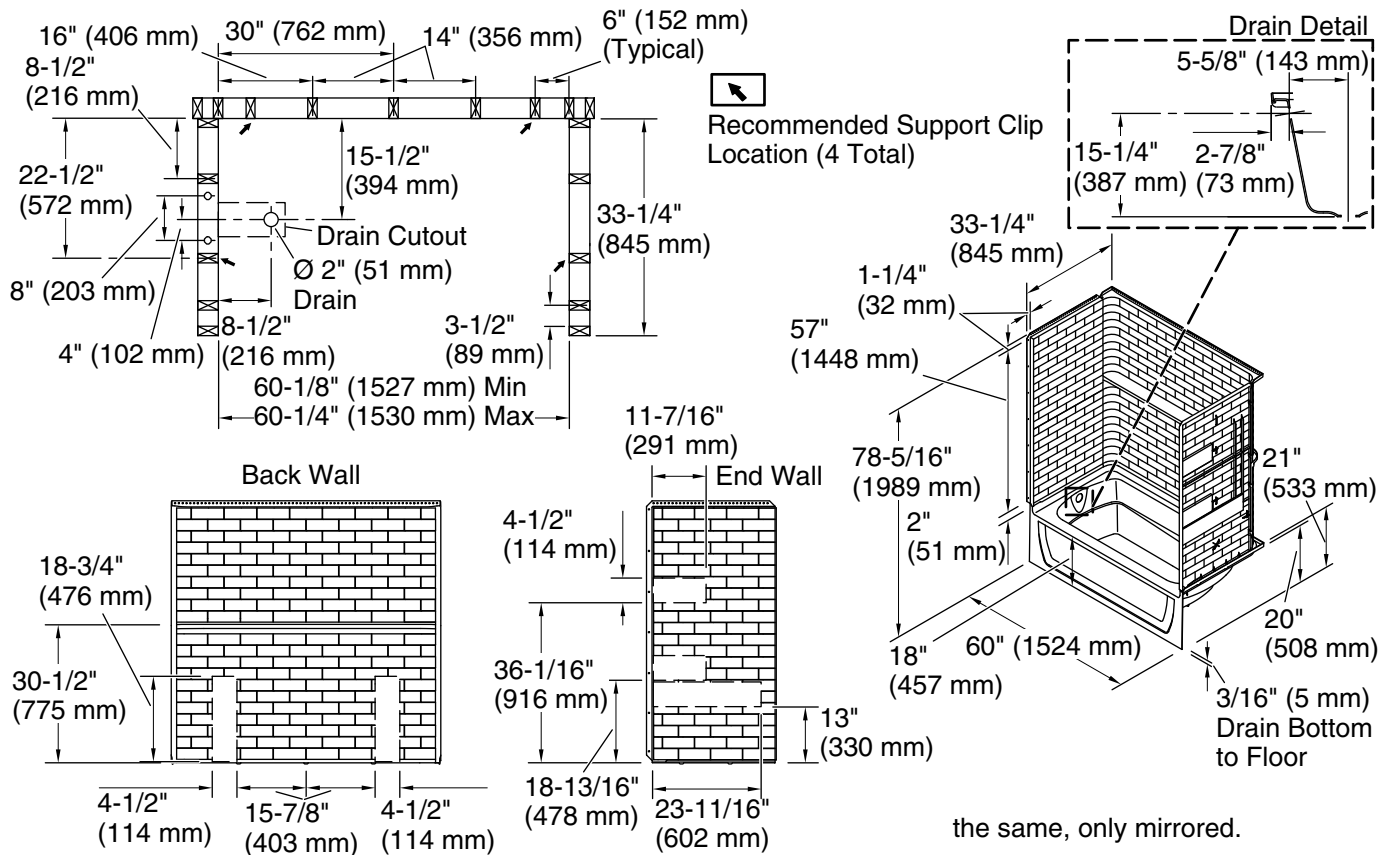
See website for detailed warranty information.

### Available Colors/Finishes

*Color tiles intended for reference only.*

#### Color Code Description

	0	White
--	---	-------



**Technical Information**

All product dimensions are nominal.

Drain location:	Left
Weight:	160.5 lbs (72.8 kg)
Water depth:	13-3/4" (349 mm)
Maximum door height:	58-3/4" (1492 mm)
Maximum door width:	57-5/8" (1464 mm)

**Notes**

Install this product according to the installation instructions.

Studs should be positioned roughly as shown.