



Features

- Tongue-and-groove modular design allows for easy installation during any phase of construction
- Modern subway tile design
- Full-length shelf provides generous storage
- Easy-to-clean, durable high-gloss finish
- Innovative Dry-Block™ seal and channeled water containment system form watertight seams

Material

- Compression molded from our exclusive solid Vikrell® material

Installation

- Pro4™ installation system features a two-piece back wall design, enabling one-person handling and installation
- Alcove
- Caulk-free installation
- Above-floor-drain (AFD) rough-in
- Left drain

Recommended Products/Accessories

- K-23726 Drain treatment
- K-23733 Vikrell® cleaner

Included Components

- 71524100 60" x 32" Vikrell® bath/shower wall set
- 71121112 60" x 32" Vikrell® bath, left above-floor drain



Codes/Standards

- CSA B45.5/IAPMO Z124
- ASTM E162
- ASTM E662
- HUD, UM Bulletin 73
- IAPMO Certification


STERLING® Vikrell® or Acrylic Baths and Shower Bases Ten-Year Limited Warranty

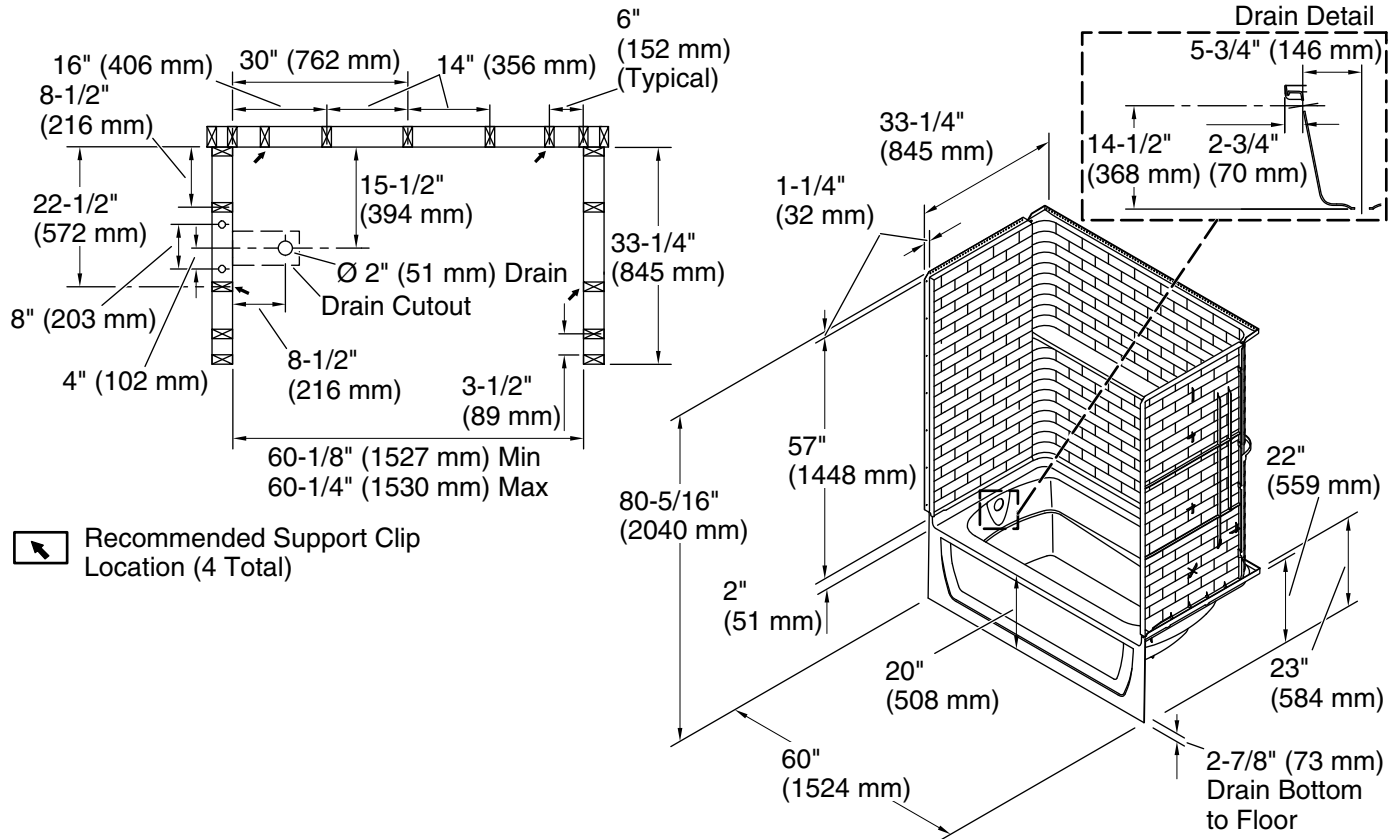
See website for detailed warranty information.

Available Colors/Finishes

Color tiles intended for reference only.

Color Code Description

	0	White
---	---	-------



Technical Information

All product dimensions are nominal.

Drain location:	Left
Weight:	169.3 lbs (76.8 kg)
Water depth:	13" (330 mm)
Maximum door height:	58-3/4" (1492 mm)
Maximum door width:	57-5/8" (1464 mm)

Notes

Install this product according to the installation instructions.

Studs should be positioned roughly as shown.

Double studding is recommended for pivot shower door installations.