

STERLING

A KOHLER COMPANY

Ensemble™ Medley® 60" AFD bath/shower with Aging in Place backerboards

71370128



Features

- 18-3/4" apron.
- Tongue-and-groove walls with snap-together installation.
- High-gloss walls.
- Molded-in shelves.
- Dry-Block™ seal and channeled water containment system.
- 3" drain-to-floor clearance for above-floor drain installation.
- Aging In Place backerboards.

Material

- Made from solid Vikrell® material for strength, durability, and lasting beauty.

Installation

- Alcove.
- Right drain.
- Caulk-free installation.

Recommended Products/Accessories

- K-23726 Drain treatment
- K-23733 Vikrell® cleaner

Included Components

Product consists of:

- 71374106 60" bath/shower wall set w/Aging in Place backerboards
- 71171122 30" x 30" AFD bath with integral apron



Codes/Standards

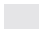

- CSA B45.5/IAPMO Z124
- ASTM E162
- ASTM E662
- HUD, UM Bulletin 73

Warranty – Bathing Fixtures (and Kitchen and Utility Sinks Made of Solid Vikrell® Material)

See website for detailed warranty information.

Available Colors/Finishes

Color tiles intended for reference only.

Color	Code	Description
	0	White
	96	KOHLER Biscuit

1-800-STERLING (1-800-783-7546)

Kohler Co. reserves the right to make revisions without notice to product specifications.

For the most current Specification Sheet, go to www.sterlingplumbing.com.

8-22-2020 13:22 - US

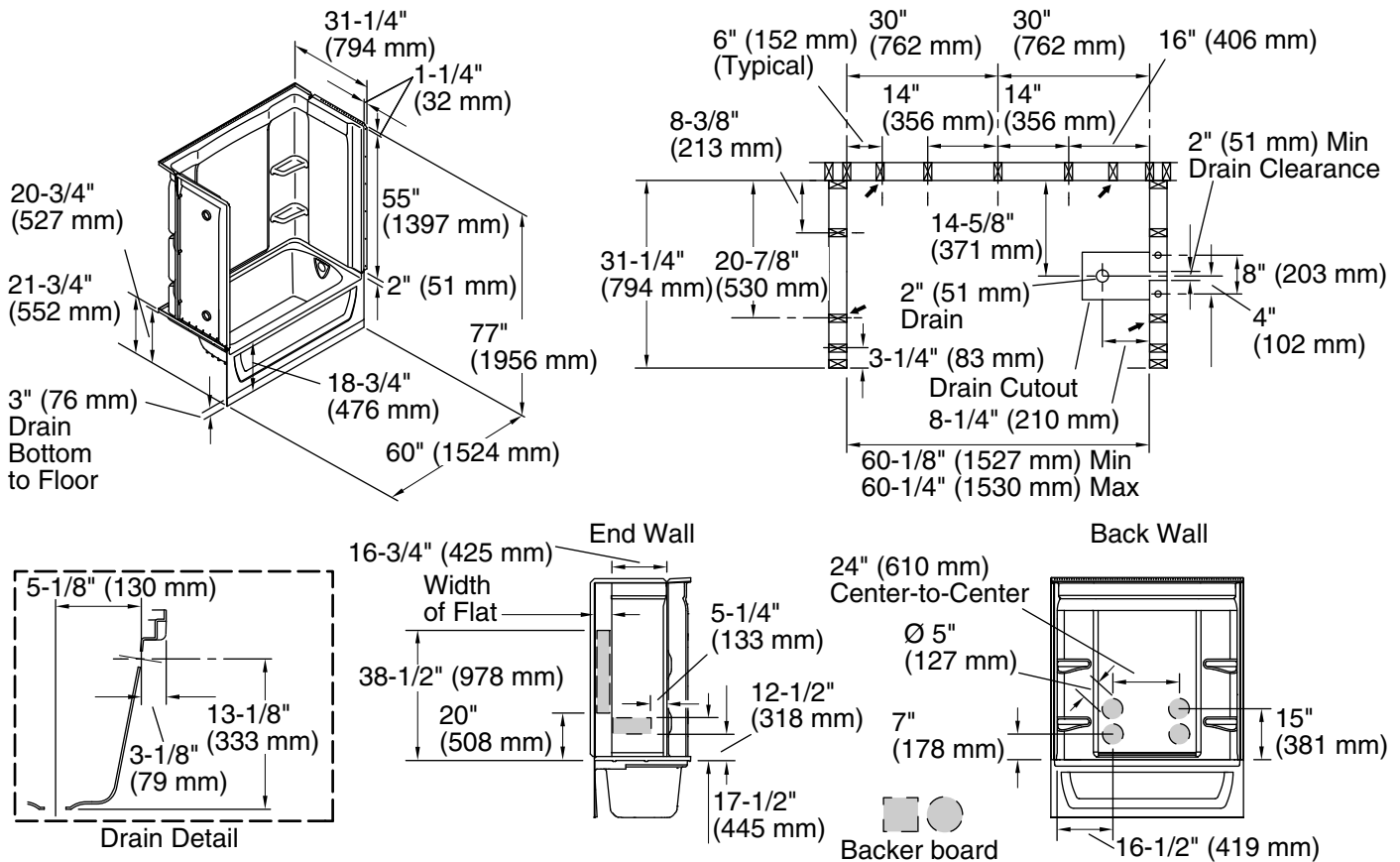
STERLING

A KOHLER COMPANY

Ensemble™ Medley®

60" AFD bath/shower with Aging in Place backerboards

71370128



Technical Information

All product dimensions are nominal.

- Installation: Three-wall alcove
Drain location: Right
Basin area, bottom: 45" x 20" (1143 mm x 508 mm)
Basin area, top: 53" x 23" (1346 mm x 584 mm)
Water depth: 11-1/4" (286 mm)
Water capacity: 44 gal (166.6 L)
Minimum flat for door: 2-3/4" (70 mm)
Maximum door height: 56-3/4" (1441 mm)
Maximum door width: 57-11/16" (1465 mm)

Notes

- Install this product according to the installation instructions.
- Studs should be positioned roughly as shown. Double studding is recommended for pivot shower door installations.
- Attach grab bars at the specified backerboard locations only.
- Felt pad not required for installation.

1-800-STERLING (1-800-783-7546)

Kohler Co. reserves the right to make revisions without notice to product specifications.

For the most current Specification Sheet, go to www.sterlingplumbing.com.

8-22-2020 13:22 - US