



Ensemble™ Medley®

60" x 30" Vikrell® bath/shower with Aging in Place backerboards, left above-floor drain
71370118



Features

- 18-3/4" (476 mm) apron
- Tongue-and-groove walls with snap-together installation
- High-gloss walls
- Molded-in shelves
- 3" (76 mm) drain-to-floor clearance for above-floor drain installation
- Aging in Place backerboards
- Innovative Dry-Block™ seal and channeled water containment system form watertight seams

Material

- Made from solid Vikrell® material for strength, durability, and lasting beauty

Installation

- Alcove
- Left drain
- Caulk-free installation

Recommended Products/Accessories

- K-23726 Drain treatment
- K-23733 Vikrell® cleaner

Included Components

- 71374106 60" x 30" Vikrell® bath/shower wall set with Aging in Place backerboards
- 71171112 60" x 30" Vikrell® bath, left above-floor drain



Codes/Standards

- CSA B45.5/IAPMO Z124
- ASTM E162
- ASTM E662
- HUD, UM Bulletin 73
- IAPMO Certification

STERLING® Vikrell® or Acrylic Baths and Shower Bases Ten-Year Limited Warranty

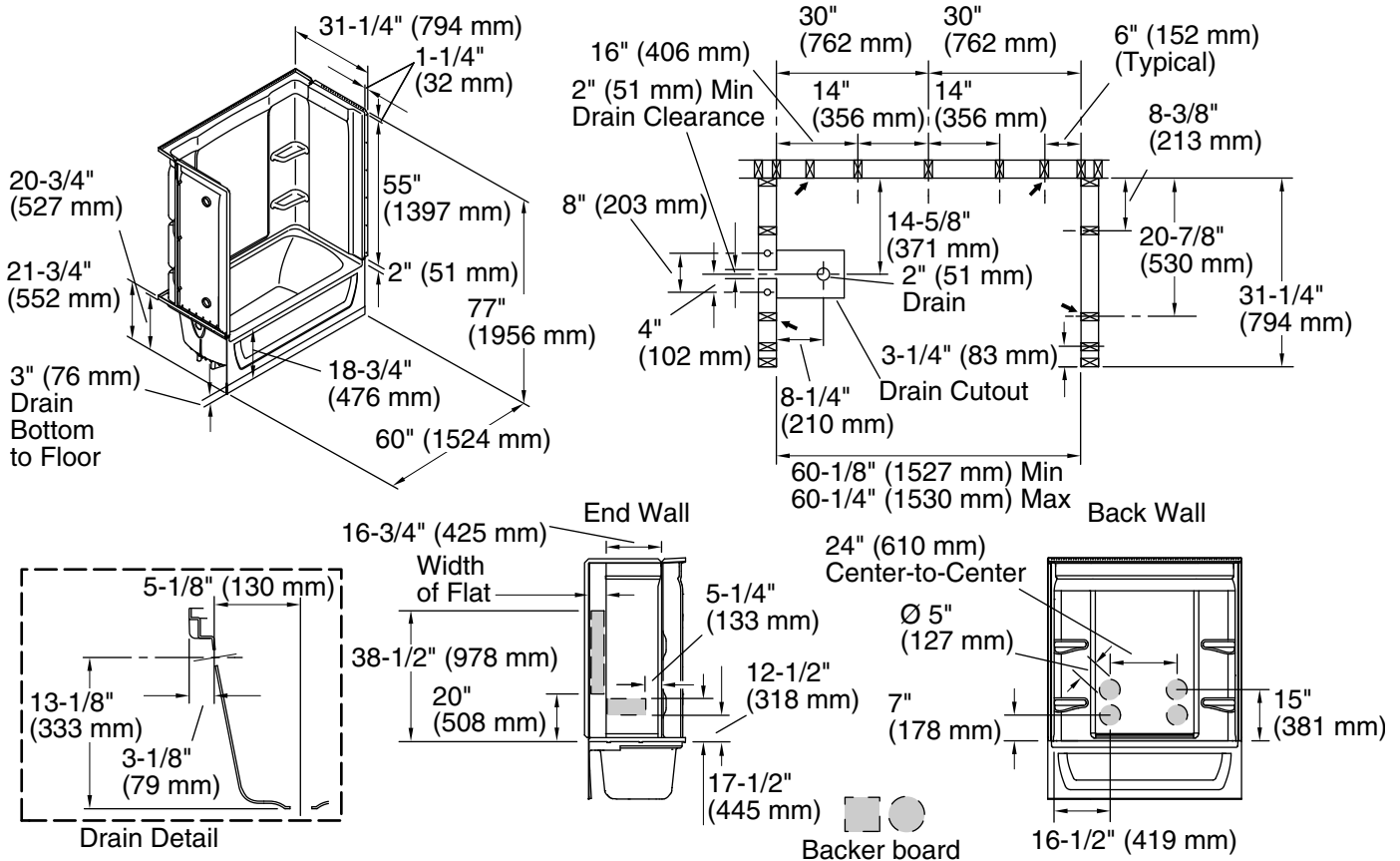
See website for detailed warranty information.

Available Colors/Finishes

Color tiles intended for reference only.

Color	Code	Description
	0	White

Ensemble™ Medley®
60" x 30" Vikrell® bath/shower with Aging in Place
backerboards, left above-floor drain
71370118



Technical Information

All product dimensions are nominal.

Drain location:	Left
Basin area, bottom:	45" x 20" (1143 mm x 508 mm)
Basin area, top:	53" x 23" (1346 mm x 584 mm)
Water depth:	11-1/4" (286 mm)
Water capacity:	44 gal (166.6 L)
Maximum door height:	56-3/4" (1441 mm)
Maximum door width:	57-11/16" (1465 mm)

Notes

Install this product according to the installation instructions.

Double studding is recommended for pivot shower door installations.

Attach grab bars at the specified backerboard locations only.

Studs should be positioned roughly as shown.

Felt pad not required for installation.