



Ensemble™ Medley®

60" x 30-1/8" bath/shower

71370110



Features

- 16" apron.
- Tongue-and-groove walls with snap-together installation.
- High-gloss walls.
- Molded-in shelves.
- Dry-Block™ seal and channeled water containment system.

Material

- Made from solid Vikrell® material for strength, durability, and lasting beauty.

Installation

- Alcove.
- Left drain.
- Caulk-free installation.

Recommended Products/Accessories

K-23726 Drain treatment

K-23733 Vikrell® cleaner



Codes/Standards

CSA B45.5/IAPMO Z124

ASTM E162

ASTM E662



HUD, UM Bulletin 73

Warranty – Bathing Fixtures (and) Kitchen and Utility Sinks Made of Solid Vikrell® Material

See website for detailed warranty information.

Available Colors/Finishes

Color tiles intended for reference only.

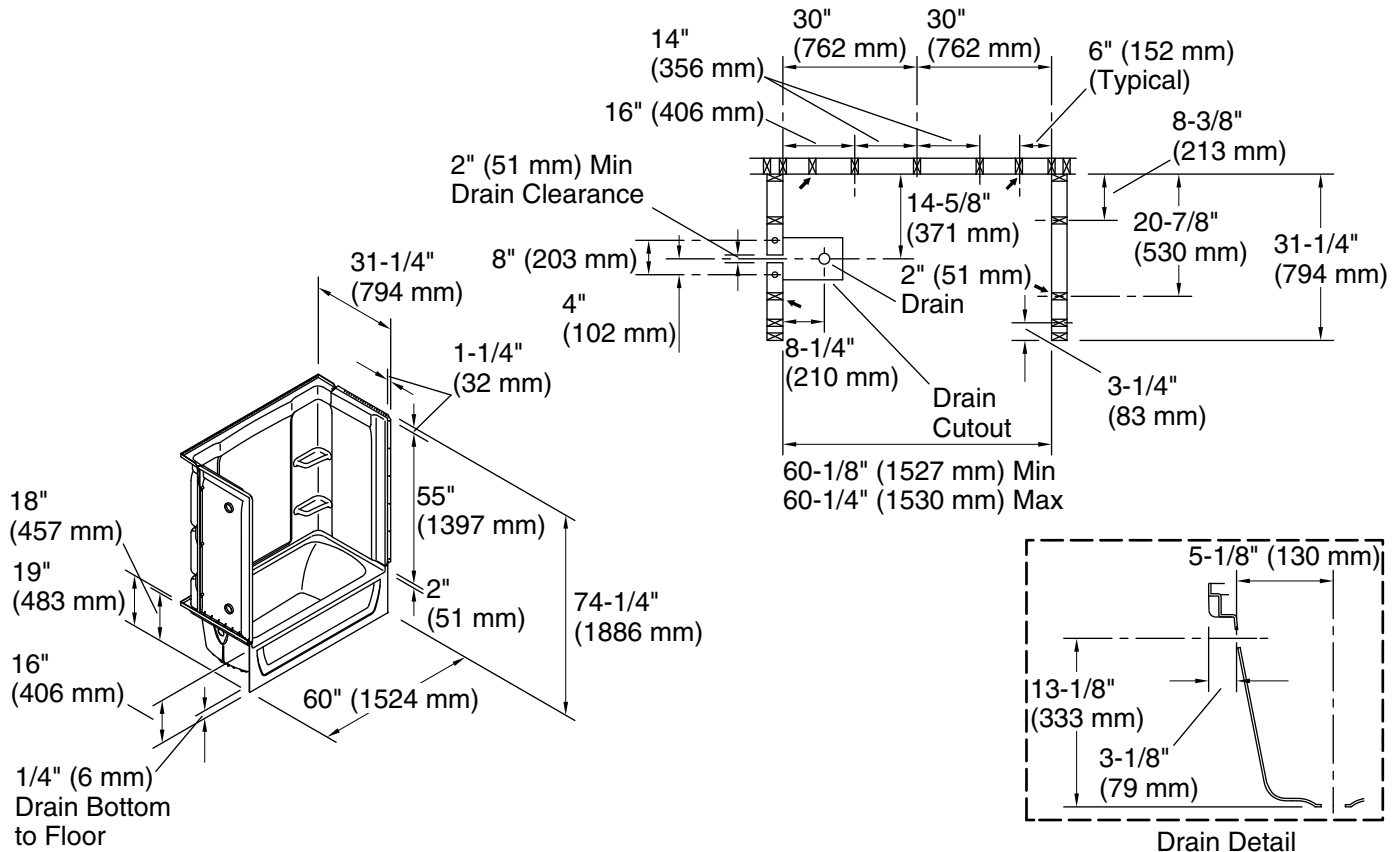
Color	Code	Description
	0	White
	96	KOHLER Biscuit

1-800-STERLING (1-800-783-7546)

Kohler Co. reserves the right to make revisions without notice to product specifications.

For the most current Specification Sheet, go to www.sterlingplumbing.com.

8-22-2020 13:21 - US



Technical Information

All product dimensions are nominal.

- Installation: Three-wall alcove
- Drain location: Left
- Basin area, bottom: 45" x 20" (1143 mm x 508 mm)
- Basin area, top: 53" x 23" (1346 mm x 584 mm)
- Water depth: 11-1/4" (286 mm)
- Water capacity: 44 gal (166.6 L)
- Minimum flat for door: 2-3/4" (70 mm)
- Maximum door height: 56-3/4" (1441 mm)
- Maximum door width: 57-11/16" (1465 mm)

Notes

- Install this product according to the installation instructions.
- Double studding is recommended for pivot shower door installations.
- Studs should be positioned roughly as shown.