



Performa™ 2

60" x 29" Vikrell® alcove bath, left drain
71341810



Features

- Durable high-gloss finish
- 15" (381 mm) bath depth (floor to top of threshold)
- Integral apron creates a clean, finished look
- Innovative 1/2" (12.7 mm) step flange provides superior water containment for installation with tile or Vikrell® wall sets
- Complements traditional and contemporary bathroom designs
- Compatible with 7134 Series Performa 2 wall sets

Material

- Compression molded from our exclusive solid Vikrell® material

Installation

- Alcove
- Left drain

Recommended Products/Accessories

- K-23726 Drain treatment
- K-23733 Vikrell® cleaner



ADA

Codes/Standards

- CSA B45.5/IAPMO Z124
- ASTM E162
- ASTM E662
- ADA
- ICC/ANSI A117.1
- IAPMO Certification

STERLING® Vikrell® or Acrylic Baths and Shower Bases Ten-Year Limited Warranty

See website for detailed warranty information.

Available Colors/Finishes

Color tiles intended for reference only.

Color	Code	Description
-------	------	-------------

	0	White
---	---	-------

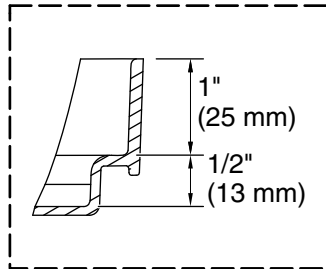
1-800-STERLING (1-800-783-7546)

Kohler Co. reserves the right to make revisions without notice to product specifications.

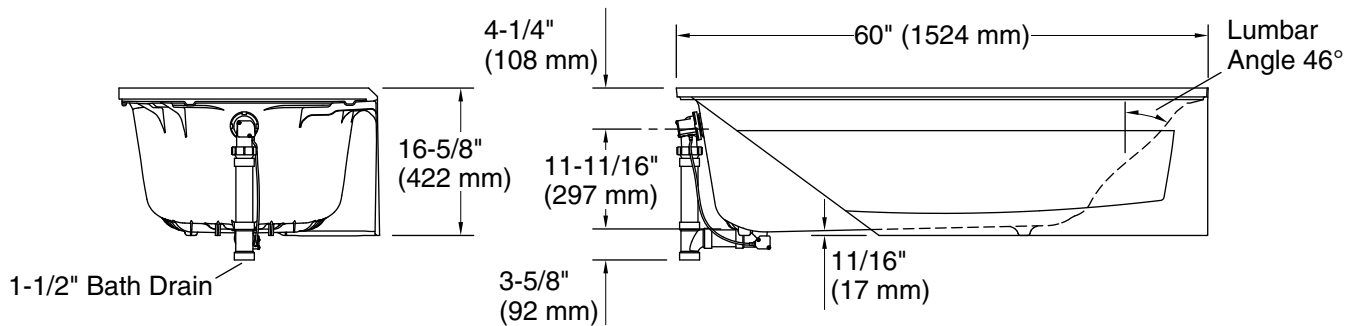
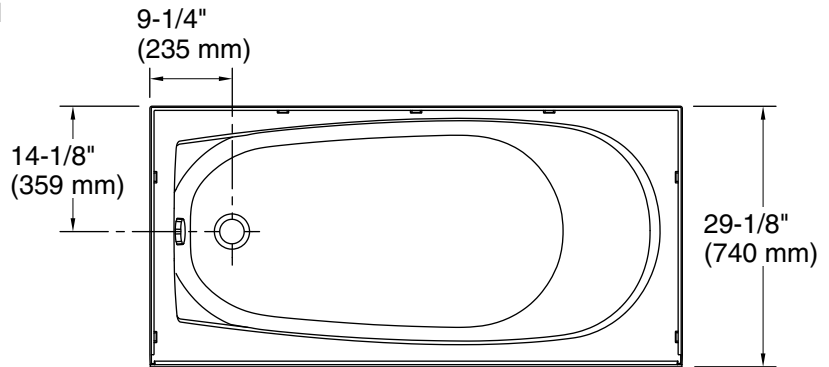
For the most current Specification Sheet, go to www.sterlingplumbing.com.

3-26-2024 19:46 - US

No change in measurements if connected with drain illustrated. (K-7213)



Integral Flange Detail



Technical Information

All product dimensions are nominal.

Drain location:	Left
Weight:	45 lbs (20.4 kg)
Water depth:	9-3/4" (248 mm)
Water capacity:	35 gal (132.5 L)
Minimum flat for door:	1-7/16" (37 mm)

Notes

Install this product according to the installation instructions.

Studs should be positioned roughly as shown.

ADA compliant when installed to the specific requirements of these regulations.