



Lawson®
72" x 42" Vikrell® drop-in bath
71311100



Features

- 20" bath depth
- Durable high-gloss finish
- Reversible drain can be installed as left- or right-hand drain
- Optional flange kit available for easier conversion to alcove installation. Kit provides continuous rim support and added water containment benefits compared to nonflanged alcove installation

Material

- Made from solid Vikrell® material for strength, durability, and lasting beauty

Installation

- Drop-in

Recommended Products/Accessories

- 71317100 Tile-in flange kit for 72" soaking baths
- K-23726 Drain treatment
- K-23733 Vikrell® cleaner



Codes/Standards

- CSA B45.5/IAPMO Z124
- ASTM E162
- ASTM E662
- HUD, UM Bulletin 73


STERLING® Vikrell® or Acrylic Baths and Shower Bases Ten-Year Limited Warranty

See website for detailed warranty information.

Available Colors/Finishes

Color tiles intended for reference only.

Color Code Description

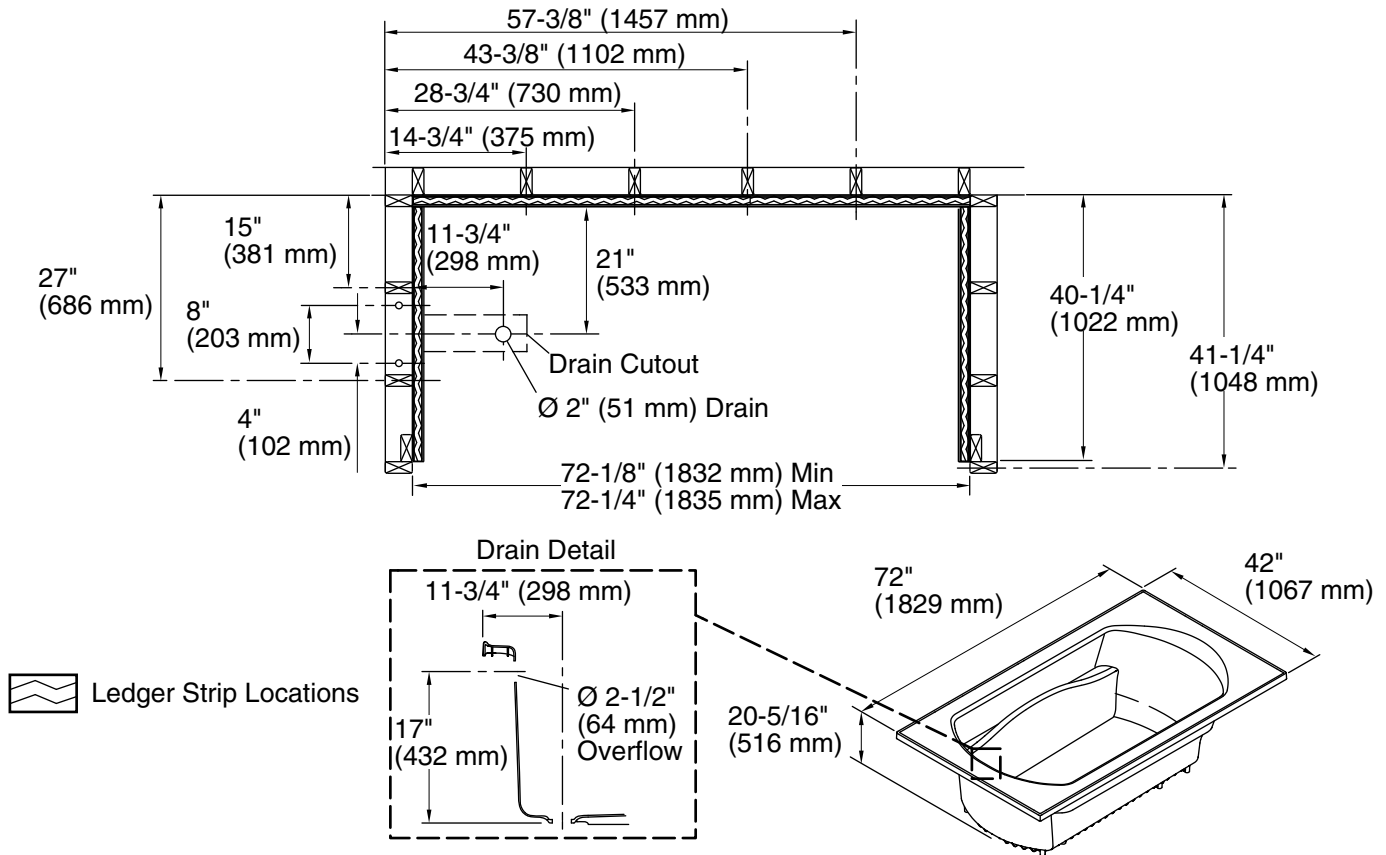
	0	White
---	---	-------

1-800-STERLING (1-800-783-7546)

Kohler Co. reserves the right to make revisions without notice to product specifications.

For the most current Specification Sheet, go to www.sterlingplumbing.com.

2-12-2024 22:08 - US



Technical Information

All product dimensions are nominal.

- Drain location: Reversible
- Basin area, bottom: 50" x 25-5/8" (1270 mm x 651 mm)
- Basin area, top: 59" x 33" (1499 mm x 838 mm)
- Water depth: 15-1/4" (387 mm)
- Water capacity: 80 gal (302.8 L)
- Maximum door width: 72" (1829 mm)

Notes

- Install this product according to the installation instructions.
- Double studding is recommended for pivot shower door installations.
- Studs should be positioned roughly as shown.